



WS-SecurityPolicy 1.2

Committee Draft 02

19 April 2007

Specification URIs:

This Version:

<http://docs.oasis-open.org/ws-sx/ws-securitypolicy/200702/ws-securitypolicy-1.2-spec-cd-02.doc>
<http://docs.oasis-open.org/ws-sx/ws-securitypolicy/200702/ws-securitypolicy-1.2-spec-cd-02.pdf>
<http://docs.oasis-open.org/ws-sx/ws-securitypolicy/200702/ws-securitypolicy-1.2-spec-cd-02.html>

Previous Version:

<http://docs.oasis-open.org/ws-sx/ws-securitypolicy/200512/ws-securitypolicy-1.2-spec-cd-01.doc>
<http://docs.oasis-open.org/ws-sx/ws-securitypolicy/200512/ws-securitypolicy-1.2-spec-cd-01.pdf>
<http://docs.oasis-open.org/ws-sx/ws-securitypolicy/200512/ws-securitypolicy-1.2-spec-cd-01.html>

Latest Version:

<http://docs.oasis-open.org/ws-sx/ws-securitypolicy/v1.2/ws-securitypolicy.doc>
<http://docs.oasis-open.org/ws-sx/ws-securitypolicy/v1.2/ws-securitypolicy.pdf>
<http://docs.oasis-open.org/ws-sx/ws-securitypolicy/v1.2/ws-securitypolicy.html>

Artifact Type:

specification

Technical Committee:

OASIS Web Services Secure Exchange TC

Chair(s):

Kelvin Lawrence, IBM
Chris Kaler, Microsoft

Editor(s):

Anthony Nadalin, IBM
Marc Goodner, Microsoft
Martin Gudgin, Microsoft
Abbie Barbir, Nortel
Hans Granqvist, VeriSign

Related work:

N/A

Declared XML Namespace(s):

<http://docs.oasis-open.org/ws-sx/ws-securitypolicy/200702>

Abstract:

This document indicates the policy assertions for use with [WS-Policy] which apply to WSS: SOAP Message Security [WSS10, WSS11], [WS-Trust] and [WS-SecureConversation]

Status:

This document was last revised or approved by the WS-SX TC on the above date. The level of approval is also listed above. Check the current location noted above for possible later revisions of this document. This document is updated periodically on no particular schedule.

Technical Committee members should send comments on this specification to the Technical Committee's email list. Others should send comments to the Technical Committee by using the

“Send A Comment” button on the Technical Committee’s web page at <http://www.oasis-open.org/committees/ws-sx>.

For information on whether any patents have been disclosed that may be essential to implementing this specification, and any offers of patent licensing terms, please refer to the Intellectual Property Rights section of the Technical Committee web page (<http://www.oasis-open.org/committees/ws-sx/ipr.php>).

The non-normative errata page for this specification is located at <http://www.oasis-open.org/committees/ws-sx>.

Notices

Copyright © OASIS® 1993–2007. All Rights Reserved. OASIS trademark, IPR and other policies apply.

All capitalized terms in the following text have the meanings assigned to them in the OASIS Intellectual Property Rights Policy (the "OASIS IPR Policy"). The full Policy may be found at the OASIS website.

This document and translations of it may be copied and furnished to others, and derivative works that comment on or otherwise explain it or assist in its implementation may be prepared, copied, published, and distributed, in whole or in part, without restriction of any kind, provided that the above copyright notice and this section are included on all such copies and derivative works. However, this document itself may not be modified in any way, including by removing the copyright notice or references to OASIS, except as needed for the purpose of developing any document or deliverable produced by an OASIS Technical Committee (in which case the rules applicable to copyrights, as set forth in the OASIS IPR Policy, must be followed) or as required to translate it into languages other than English.

The limited permissions granted above are perpetual and will not be revoked by OASIS or its successors or assigns.

This document and the information contained herein is provided on an "AS IS" basis and OASIS DISCLAIMS ALL WARRANTIES, EXPRESS OR IMPLIED, INCLUDING BUT NOT LIMITED TO ANY WARRANTY THAT THE USE OF THE INFORMATION HEREIN WILL NOT INFRINGE ANY OWNERSHIP RIGHTS OR ANY IMPLIED WARRANTIES OF MERCHANTABILITY OR FITNESS FOR A PARTICULAR PURPOSE.

OASIS requests that any OASIS Party or any other party that believes it has patent claims that would necessarily be infringed by implementations of this OASIS Committee Specification or OASIS Standard, to notify OASIS TC Administrator and provide an indication of its willingness to grant patent licenses to such patent claims in a manner consistent with the IPR Mode of the OASIS Technical Committee that produced this specification.

OASIS invites any party to contact the OASIS TC Administrator if it is aware of a claim of ownership of any patent claims that would necessarily be infringed by implementations of this specification by a patent holder that is not willing to provide a license to such patent claims in a manner consistent with the IPR Mode of the OASIS Technical Committee that produced this specification. OASIS may include such claims on its website, but disclaims any obligation to do so.

OASIS takes no position regarding the validity or scope of any intellectual property or other rights that might be claimed to pertain to the implementation or use of the technology described in this document or the extent to which any license under such rights might or might not be available; neither does it represent that it has made any effort to identify any such rights. Information on OASIS' procedures with respect to rights in any document or deliverable produced by an OASIS Technical Committee can be found on the OASIS website. Copies of claims of rights made available for publication and any assurances of licenses to be made available, or the result of an attempt made to obtain a general license or permission for the use of such proprietary rights by implementers or users of this OASIS Committee Specification or OASIS Standard, can be obtained from the OASIS TC Administrator. OASIS makes no representation that any information or list of intellectual property rights will at any time be complete, or that any claims in such list are, in fact, Essential Claims.

The name "OASIS" is a trademark of OASIS, the owner and developer of this specification, and should be used only to refer to the organization and its official outputs. OASIS welcomes reference to, and implementation and use of, specifications, while reserving the right to enforce its marks against misleading uses. Please see <http://www.oasis-open.org/who/trademark.php> for above guidance.

Table of Contents

1	Introduction	7
1.1	Example	7
1.2	Namespaces	8
1.3	Schema Files	9
1.4	Terminology	9
1.4.1	Notational Conventions	9
1.5	Normative References	10
1.6	Non-Normative References	13
2	Security Policy Model	14
2.1	Security Assertion Model	14
2.2	Nested Policy Assertions	15
2.3	Security Binding Abstraction	15
3	Policy Considerations	17
3.1	Nested Policy	17
3.2	Policy Subjects	17
4	Protection Assertions	19
4.1	Integrity Assertions	19
4.1.1	SignedParts Assertion	19
4.1.2	SignedElements Assertion	20
4.2	Confidentiality Assertions	21
4.2.1	EncryptedParts Assertion	21
4.2.2	EncryptedElements Assertion	22
4.2.3	ContentEncryptedElements Assertion	22
4.3	Required Elements Assertion	23
4.3.1	RequiredElements Assertion	23
4.3.2	RequiredParts Assertion	24
5	Token Assertions	25
5.1	Token Inclusion	25
5.1.1	Token Inclusion Values	25
5.1.2	Token Inclusion and Token References	26
5.2	Token Issuer and Required Claims	26
5.2.1	Token Issuer	26
5.2.2	Token Issuer Name	26
5.2.3	Required Claims	26
5.2.4	Processing Rules and Token Matching	27
5.3	Token Properties	27
5.3.1	[Derived Keys] Property	27
5.3.2	[Explicit Derived Keys] Property	27
5.3.3	[Implied Derived Keys] Property	27
5.4	Token Assertion Types	27
5.4.1	UsernameToken Assertion	27

5.4.2	IssuedToken Assertion	29
5.4.3	X509Token Assertion	31
5.4.4	KerberosToken Assertion	33
5.4.5	SpnegoContextToken Assertion	34
5.4.6	SecurityContextToken Assertion	36
5.4.7	SecureConversationToken Assertion	37
5.4.8	SamlToken Assertion	40
5.4.9	RelToken Assertion	42
5.4.10	HttpsToken Assertion	43
5.4.11	KeyValueToken Assertion	44
6	Security Binding Properties	47
6.1	[Algorithm Suite] Property	47
6.2	[Timestamp] Property	49
6.3	[Protection Order] Property	49
6.4	[Signature Protection] Property	49
6.5	[Token Protection] Property	50
6.6	[Entire Header and Body Signatures] Property	50
6.7	[Security Header Layout] Property	50
6.7.1	Strict Layout Rules for WSS 1.0	50
7	Security Binding Assertions	53
7.1	AlgorithmSuite Assertion	53
7.2	Layout Assertion	55
7.3	TransportBinding Assertion	56
7.4	SymmetricBinding Assertion	57
7.5	AsymmetricBinding Assertion	59
8	Supporting Tokens	62
8.1	SupportingTokens Assertion	63
8.2	SignedSupportingTokens Assertion	64
8.3	EndorsingSupportingTokens Assertion	66
8.4	SignedEndorsingSupportingTokens Assertion	68
8.5	SignedEncryptedSupportingTokens Assertion	70
8.6	EncryptedSupportingTokens Assertion	70
8.7	EndorsingEncryptedSupportingTokens Assertion	70
8.8	SignedEndorsingEncryptedSupportingTokens Assertion	70
8.9	Interaction between [Token Protection] property and supporting token assertions	70
8.10	Example	71
9	WSS: SOAP Message Security Options	72
9.1	Wss10 Assertion	73
9.2	Wss11 Assertion	74
10	WS-Trust Options	76
10.1	Trust13 Assertion	77
11	Guidance on creating new assertions and assertion extensibility	79
11.1	General Design Points	79

11.2 Detailed Design Guidance	79
12 Security Considerations.....	81
A. Assertions and WS-PolicyAttachment	82
A.1 Endpoint Policy Subject Assertions	82
A.1.1 Security Binding Assertions	82
A.1.2 Token Assertions	82
A.1.3 WSS: SOAP Message Security 1.0 Assertions	82
A.1.4 WSS: SOAP Message Security 1.1 Assertions	82
A.1.5 Trust 1.0 Assertions	82
A.2 Operation Policy Subject Assertions	82
A.2.1 Security Binding Assertions	82
A.2.2 Supporting Token Assertions	82
A.3 Message Policy Subject Assertions	83
A.3.1 Supporting Token Assertions	83
A.3.2 Protection Assertions	83
A.4 Assertions With Undefined Policy Subject	83
A.4.1 General Assertions	83
A.4.2 Token Usage Assertions	83
A.4.3 Token Assertions	83
B. Issued Token Policy	85
C. Strict Security Header Layout Examples	87
C.1 Transport Binding	87
C.1.1 Policy	87
C.1.2 Initiator to Recipient Messages	88
C.1.3 Recipient to Initiator Messages	89
C.2 Symmetric Binding	90
C.2.1 Policy	91
C.2.2 Initiator to Recipient Messages	92
C.2.3 Recipient to Initiator Messages	96
C.3 Asymmetric Binding.....	99
C.3.1 Policy	99
C.3.2 Initiator to Recipient Messages	101
C.3.3 Recipient to Initiator Messages	105
D. Signed and Encrypted Elements in the Security Header	109
D.1 Elements signed by the message signature	109
D.2 Elements signed by all endorsing signatures	109
D.3 Elements signed by a specific endorsing signature	109
D.4 Elements that are encrypted	109
E. Acknowledgements	110

1 Introduction

WS-Policy defines a framework for allowing web services to express their constraints and requirements. Such constraints and requirements are expressed as policy assertions. This document defines a set of security policy assertions for use with the [WS-Policy] framework with respect to security features provided in WSS: SOAP Message Security [WSS10, WSS11], [WS-Trust] and [WS-SecureConversation]. The assertions defined within this specification have been designed to work independently of a specific version of WS-Policy. At the time of the publication of this specification the versions of WS-Policy known to correctly compose with this specification are WS-Policy 1.2 and 1.5. Within this specification the use of the namespace prefix `wsp` refers generically to the WS-Policy namespace, not a specific version. This document takes the approach of defining a base set of assertions that describe how messages are to be secured. Flexibility with respect to token types, cryptographic algorithms and mechanisms used, including using transport level security is part of the design and allows for evolution over time. The intent is to provide enough information for compatibility and interoperability to be determined by web service participants along with all information necessary to actually enable a participant to engage in a secure exchange of messages.

Sections 11, 12 and all examples and all Appendices are non-normative.

1.1 Example

Table 1 shows an "Effective Policy" example, including binding assertions and associated property assertions, token assertions and integrity and confidentiality assertions. This example has a scope of [Endpoint Policy Subject], but for brevity the attachment mechanism is not shown.

Table 1: Example security policy.

```
(01) <wsp:Policy xmlns:wsp="..." xmlns:sp="...">
(02)   <sp:SymmetricBinding>
(03)     <wsp:Policy>
(04)       <sp:ProtectionToken>
(05)         <wsp:Policy>
(06)           <sp:Kerberos sp:IncludeToken=".../IncludeToken/Once" />
(07)             <wsp:Policy>
(08)               <sp:WSSKerberosV5ApReqToken11/>
(09)               <wsp:Policy>
(10)             </sp:Kerberos>
(11)           </wsp:Policy>
(12)         </sp:ProtectionToken>
(13)       <sp:SignBeforeEncrypting />
(14)       <sp:EncryptSignature />
(15)     </wsp:Policy>
(16)   </sp:SymmetricBinding>
(17) <sp:SignedParts>
(18)   <sp:Body/>
(19)   <sp:Header
(20)     Namespace="http://schemas.xmlsoap.org/ws/2004/08/addressing"
(21)   />
(22) />
```

```

44 (20) </sp:SignedParts>
45 (21) <sp:EncryptedParts>
46 (22) <sp:Body/>
47 (23) </sp:EncryptedParts>
48 (24) </wsp:Policy>

```

49

50 Line 1 in Table 1 indicates that this is a policy statement and that all assertions contained by the
51 `wsp:Policy` element are required to be satisfied. Line 2 indicates the kind of security binding in force. Line
52 3 indicates a nested `wsp:Policy` element which contains assertions that qualify the behavior of the
53 `SymmetricBinding` assertion. Line 4 indicates a `ProtectionToken` assertion. Line 5 indicates a nested
54 `wsp:Policy` element which contains assertions indicating the type of token to be used for the
55 `ProtectionToken`. Lines 6 to 10 indicate that a Kerberos V5 APREQ token is to be used by both parties in
56 a message exchange for protection. Line 13 indicates that signatures are generated over plaintext rather
57 than ciphertext. Line 14 indicates that the signature over the signed messages parts is required to be
58 encrypted. Lines 17-20 indicate which message parts are to be covered by the primary signature; in this
59 case the `soap:Body` element, indicated by Line 18 and any SOAP headers in the WS-Addressing
60 namespace, indicated by line 19. Lines 21-23 indicate which message parts are to be encrypted; in this
61 case just the `soap:Body` element, indicated by Line 22.

62 1.2 Namespaces

63 The XML namespace URI that MUST be used by implementations of this specification is:

```
64 http://docs.oasis-open.org/ws-sx/ws-securitypolicy/200702
```

65

66 Table 2 lists XML namespaces that are used in this specification. The choice of any namespace prefix is
67 arbitrary and not semantically significant.

68 *Table 2: Prefixes and XML Namespaces used in this specification.*

Prefix	Namespace	Specification(s)
S	http://schemas.xmlsoap.org/soap/envelope/	[SOAP]
S12	http://www.w3.org/2003/05/soap-envelope	[SOAP12]
ds	http://www.w3.org/2000/09/xmldsig#	[XML-Signature]
enc	http://www.w3.org/2001/04/xmlenc#	[XML-Encrypt]
wsu	http://docs.oasis-open.org/wss/2004/01/oasis-200401-wss-wssecurity-utility-1.0.xsd	[WSS10]
wsse	http://docs.oasis-open.org/wss/2004/01/oasis-200401-wss-wssecurity-secext-1.0.xsd	[WSS10]
wsse11	http://docs.oasis-open.org/wss/oasis-wss-wssecurity-secext-1.1.xsd	[WSS11]
xsd	http://www.w3.org/2001/XMLSchema	[XML-Schema1], [XML-Schema2]
wst	http://docs.oasis-open.org/ws-sx/ws-trust/200512	[WS-Trust]
wsc	http://docs.oasis-open.org/ws-sx/ws-secureconversation/200512	[WS-SecureConversation]

wsa	http://www.w3.org/2005/08/addressing	[WS-Addressing]
sp	http://docs.oasis-open.org/ws-sx/ws-securitypolicy/200702	This specification

69 1.3 Schema Files

70 A normative copy of the XML Schema [[XML-Schema1](#), [XML-Schema2](#)] description for this specification
71 can be retrieved from the following address:

72 <http://docs.oasis-open.org/ws-sx/ws-securitypolicy/200702/ws-securitypolicy-1.2.xsd>

73 1.4 Terminology

74 **Policy** - A collection of policy alternatives.

75 **Policy Alternative** - A collection of policy assertions.

76 **Policy Assertion** - An individual requirement, capability, other property, or a behavior.

77 **Initiator** - The role sending the initial message in a message exchange.

78 **Recipient** - The targeted role to process the initial message in a message exchange.

79 **Security Binding** - A set of properties that together provide enough information to secure a given
80 message exchange.

81 **Security Binding Property** - A particular aspect of securing an exchange of messages.

82 **Security Binding Assertion** - A policy assertion that identifies the type of security binding being used to
83 secure an exchange of messages.

84 **Security Binding Property Assertion** - A policy assertion that specifies a particular value for a particular
85 aspect of securing an exchange of message.

86 **Assertion Parameter** - An element of variability within a policy assertion.

87 **Token Assertion** - Describes a token requirement. Token assertions defined within a security binding are
88 used to satisfy protection requirements.

89 **Supporting Token** - A token used to provide additional claims.

90 1.4.1 Notational Conventions

91 The key words "MUST", "MUST NOT", "REQUIRED", "SHALL", "SHALL NOT", "SHOULD", "SHOULD
92 NOT", "RECOMMENDED", "MAY", and "OPTIONAL" in this document are to be interpreted as described
93 in [[RFC2119](#)].

94 This specification uses the following syntax to define outlines for assertions:

- 95 • The syntax appears as an XML instance, but values in italics indicate data types instead of literal
96 values.
- 97 • Characters are appended to elements and attributes to indicate cardinality:
 - 98 ○ "?" (0 or 1)
 - 99 ○ "*" (0 or more)
 - 100 ○ "+" (1 or more)
- 101 • The character "|" is used to indicate a choice between alternatives.
- 102 • The characters "(" and ")" are used to indicate that contained items are to be treated as a group
103 with respect to cardinality or choice.
- 104 • The characters "[" and "]" are used to call out references and property names.
- 105 • Ellipses (i.e., "...") indicate points of extensibility. Additional children and/or attributes MAY be
106 added at the indicated extension points but MUST NOT contradict the semantics of the parent

107 and/or owner, respectively. By default, if a receiver does not recognize an extension, the receiver
108 SHOULD ignore the extension; exceptions to this processing rule, if any, are clearly indicated
109 below.

- 110 • XML namespace prefixes (see Table 2) are used to indicate the namespace of the element being
111 defined.

112
113 Elements and Attributes defined by this specification are referred to in the text of this document using
114 XPath 1.0 expressions. Extensibility points are referred to using an extended version of this syntax:

- 115 • An element extensibility point is referred to using {any} in place of the element name. This
116 indicates that any element name can be used, from any namespace other than the namespace of
117 this specification.
- 118 • An attribute extensibility point is referred to using @{any} in place of the attribute name. This
119 indicates that any attribute name can be used, from any namespace other than the namespace of
120 this specification.

121 Extensibility points in the exemplar may not be described in the corresponding text.

122 In this document reference is made to the `wsu:Id` attribute and the `wsu:Created` and `wsu:Expires`
123 elements in a utility schema (<http://docs.oasis-open.org/wss/2004/01/oasis-200401-wss-wssecurity-utility-1.0.xsd>). The `wsu:Id` attribute and the `wsu:Created` and `wsu:Expires` elements were added to the
124 utility schema with the intent that other specifications requiring such an ID type attribute or timestamp
125 element could reference it (as is done here).
126

127
128 WS-SecurityPolicy is designed to work with the general Web Services framework including WSDL service
129 descriptions, UDDI businessServices and bindingTemplates and SOAP message structure and message
130 processing model, and WS-SecurityPolicy should be applicable to any version of SOAP. The current
131 SOAP 1.2 namespace URI is used herein to provide detailed examples, but there is no intention to limit
132 the applicability of this specification to a single version of SOAP.

133 1.5 Normative References

- 134 [RFC2119] S. Bradner, "Key words for use in RFCs to Indicate Requirement
135 Levels", RFC 2119, Harvard University, March 1997.
136 <http://www.ietf.org/rfc/rfc2119.txt>
137
- 138 [SOAP] W3C Note, "SOAP: Simple Object Access Protocol 1.1", 08 May 2000.
139 <http://www.w3.org/TR/2000/NOTE-SOAP-20000508/>
140
- 141 [SOAP12] W3C Recommendation, "SOAP 1.2 Part 1: Messaging Framework", 24
142 June 2003.
143 <http://www.w3.org/TR/2003/REC-soap12-part1-20030624/>
144
- 145 [SOAPNorm] W3C Working Group Note, "SOAP Version 1.2 Message
146 Normalization", 8 October 2003.
147 <http://www.w3.org/TR/2003/NOTE-soap12-n11n-20031008/>
148
- 149 [URI] T. Berners-Lee, R. Fielding, L. Masinter, "Uniform Resource Identifiers
150 (URI): Generic Syntax", RFC 3986, MIT/LCS, Day Software, Adobe
151 Systems, January 2005.
152 <http://www.ietf.org/rfc/rfc3986.txt>

153		
154	[RFC2068]	IETF Standard, "Hypertext Transfer Protocol -- HTTP/1.1" January 1997
155		
156		http://www.ietf.org/rfc/rfc2068.txt
157		
158	[RFC2246]	IETF Standard, "The TLS Protocol", January 1999.
159		http://www.ietf.org/rfc/rfc2246.txt
160		
161	[SwA]	W3C Note, "SOAP Messages with Attachments", 11 December 2000
162		http://www.w3.org/TR/2000/NOTE-SOAP-attachments-20001211
163		
164	[WS-Addressing]	W3C Recommendation, "Web Services Addressing (WS-Addressing)", 9 May 2006.
165		
166		http://www.w3.org/TR/2006/REC-ws-addr-core-20060509
167		
168	[WS-Policy]	W3C Member Submission "Web Services Policy 1.2 - Framework", 25 April 2006.
169		
170		http://www.w3.org/Submission/2006/SUBM-WS-Policy-20060425/
171		W3C Candidate Recommendation "Web Services Policy 1.5 – Framework", 28 February 2007
172		
173		http://www.w3.org/TR/2007/CR-ws-policy-framework-20070228/
174		
175	[WS-PolicyAttachment]	W3C Member Submission "Web Services Policy 1.2 - Attachment", 25 April 2006.
176		
177		http://www.w3.org/Submission/2006/SUBM-WS-PolicyAttachment-20060425/
178		
179		W3C Candidate Recommendation "Web Services Policy 1.5 – Attachment", 28 February 2007
180		
181		http://www.w3.org/TR/2007/CR-ws-policy-attach-20070228/
182		
183	[WS-Trust]	OASIS Committee Draft, "WS-Trust 1.3", September 2006
184		http://docs.oasis-open.org/ws-sx/ws-trust/200512
185		
186	[WS-SecureConversation]	OASIS Committee Draft, "WS-SecureConversation 1.3", September 2006
187		
188		http://docs.oasis-open.org/ws-sx/ws-secureconversation/200512
189		
190	[WSS10]	OASIS Standard, "OASIS Web Services Security: SOAP Message Security 1.0 (WS-Security 2004)", March 2004.
191		
192		http://docs.oasis-open.org/wss/2004/01/oasis-200401-wss-soap-message-security-1.0.pdf
193		
194		
195	[WSS11]	OASIS Standard, "OASIS Web Services Security: SOAP Message Security 1.1 (WS-Security 2004)", February 2006.
196		
197		http://www.oasis-open.org/committees/download.php/16790/wss-v1.1-spec-os-SOAPMessageSecurity.pdf
198		

199		
200	[WSS:UsernameToken1.0]	OASIS Standard, "Web Services Security: UsernameToken Profile",
201		March 2004
202		http://docs.oasis-open.org/wss/2004/01/oasis-200401-wss-username-
203		token-profile-1.0.pdf
204		
205	[WSS:UsernameToken1.1]	OASIS Standard, "Web Services Security: UsernameToken Profile
206		1.1", February 2006
207		http://www.oasis-open.org/committees/download.php/16782/wss-v1.1-
208		spec-os-UsernameTokenProfile.pdf
209		
210	[WSS:X509Token1.0]	OASIS Standard, "Web Services Security X.509 Certificate Token
211		Profile", March 2004
212		http://docs.oasis-open.org/wss/2004/01/oasis-200401-wss-x509-token-
213		profile-1.0.pdf
214		
215	[WSS:X509Token1.1]	OASIS Standard, "Web Services Security X.509 Certificate Token
216		Profile", February 2006
217		http://www.oasis-open.org/committees/download.php/16785/wss-v1.1-
218		spec-os-x509TokenProfile.pdf
219		
220	[WSS:KerberosToken1.1]	OASIS Standard, "Web Services Security Kerberos Token Profile 1.1",
221		February 2006
222		http://www.oasis-open.org/committees/download.php/16788/wss-v1.1-
223		spec-os-KerberosTokenProfile.pdf
224		
225	[WSS:SAMLTokenProfile1.0]	OASIS Standard, "Web Services Security: SAML Token Profile",
226		December 2004
227		http://docs.oasis-open.org/wss/oasis-wss-saml-token-profile-1.0.pdf
228		
229	[WSS:SAMLTokenProfile1.1]	OASIS Standard, "Web Services Security: SAML Token Profile 1.1",
230		February 2006
231		http://www.oasis-open.org/committees/download.php/16768/wss-v1.1-
232		spec-os-SAMLTokenProfile.pdf
233		
234	[WSS:RELTTokenProfile1.0]	OASIS Standard, "Web Services Security Rights Expression Language
235		(REL) Token Profile", December 2004
236		http://docs.oasis-open.org/wss/oasis-wss-rel-token-profile-1.0.pdf
237		
238	[WSS:RELTTokenProfile1.1]	OASIS Standard, "Web Services Security Rights Expression Language
239		(REL) Token Profile 1.1", February 2006
240		http://www.oasis-open.org/committees/download.php/16687/oasis-
241		wss-rel-token-profile-1.1.pdf
242		
243	[WSS:SwAProfile1.1]	OASIS Standard, "Web Services Security SOAP Messages with
244		Attachments (SwA) Profile 1.1", February 2006

245 <http://www.oasis-open.org/committees/download.php/16672/wss-v1.1-spec-os-SwAProfile.pdf>
246
247
248 [XML-Encrypt] W3C Recommendation, "XML Encryption Syntax and Processing", 10
249 December 2002.
250 <http://www.w3.org/TR/2002/REC-xmlenc-core-20021210/>
251
252 [XML-Signature] W3C Recommendation, "XML-Signature Syntax and Processing", 12
253 February 2002.
254 <http://www.w3.org/TR/2002/REC-xmlenc-core-20021210/>
255
256 [XPath] W3C Recommendation "XML Path Language (XPath) Version 1.0", 16
257 November 1999.
258 <http://www.w3.org/TR/1999/REC-xpath-19991116>
259
260 [XML-Schema1] W3C Recommendation, "XML Schema Part 1: Structures Second
261 Edition", 28 October 2004.
262 <http://www.w3.org/TR/2004/REC-xmlschema-1-20041028/>
263
264 [XML-Schema2] W3C Recommendation, "XML Schema Part 2: Datatypes Second
265 Edition", 28 October 2004.
266 <http://www.w3.org/TR/2004/REC-xmlschema-2-20041028/>
267

268 **1.6 Non-Normative References**

269 None.
270

271 **2 Security Policy Model**

272 This specification defines policy assertions for the security properties for Web services. These assertions
273 are primarily designed to represent the security characteristics defined in the [WSS: SOAP Message](#)
274 [Security](#) [WSS10] [WSS11], [WS-Trust] and [WS-SecureConversation] specifications, but they can also
275 be used for describing security requirements at a more general or transport-independent level.

276
277 The primary goal of this specification is to define an initial set of patterns or sets of assertions that
278 represent common ways to describe how messages are secured on a communication path. The intent is
279 to allow flexibility in terms of the tokens, cryptography, and mechanisms used, including leveraging
280 transport security, but to be specific enough to ensure interoperability based on assertion matching.

281
282 It is a goal of the security policy model to leverage the WS-Policy framework's intersection algorithm for
283 selecting policy alternatives and the attachment mechanism for associating policy assertions with web
284 service artifacts. Consequently, wherever possible, the security policy assertions do not use parameters
285 or attributes. This enables first-level, QName based assertion matching without security domain-specific
286 knowledge to be done at the framework level. The first level matching is intended to provide a narrowed
287 set of policy alternatives that are shared by the two parties attempting to establish a secure
288 communication path.

289
290 In general, assertions defined in this specification allow additional attributes, based on schemas, to be
291 added on to the assertion element as an extensibility mechanism but the WS-Policy framework will not
292 match based on these attributes. Attributes specified on the assertion element that are not defined in this
293 specification or in WS-Policy are to be treated as informational properties.

294 **2.1 Security Assertion Model**

295 The goal to provide richer semantics for combinations of security constraints and requirements and
296 enable first-level QName matching, is enabled by the assertions defined in this specification being
297 separated into simple patterns: what parts of a message are being secured (Protection Assertions),
298 general aspects or pre-conditions of the security (Conditional Assertions), the security mechanism
299 (Security Binding Assertions) that is used to provide the security, the token types and usage patterns
300 (Supporting Token Assertions) used to provide additional claims, and token referencing and trust options
301 (WSS and Trust Assertions).

302
303 To indicate the scope of protection, assertions identify message parts that are to be protected in a
304 specific way, such as integrity or confidentiality protection, and are referred to as protection assertions.

305
306 The general aspects of security includes the relationships between or characteristics of the environment
307 in which security is being applied, such as the tokens being used, which are for integrity or confidentiality
308 protection and which are supporting, the applicable algorithms to use, etc.

309
310 The security binding assertion is a logical grouping which defines how the general aspects are used to
311 protect the indicated parts. For example, that an asymmetric token is used with a digital signature to
312 provide integrity protection, and that parts are encrypted with a symmetric key which is then encrypted

313 using the public key of the recipient. At its simplest form, the security binding restricts what can be placed
314 in the `wsse:Security` header and the associated processing rules.

315

316 The intent of representing characteristics as assertions is so that QName matching will be sufficient to
317 find common alternatives and so that many aspects of security can be factored out and re-used. For
318 example, it may be common that the mechanism is constant for an endpoint, but that the parts protected
319 vary by message action.

320 **2.2 Nested Policy Assertions**

321 Assertions may be used to further qualify a specific aspect of another assertion. For example, an
322 assertion describing the set of algorithms to use may qualify the specific behavior of a security binding. If
323 the schema outline below for an assertion type requires a nested policy expression but the assertion does
324 not further qualify one or more aspects of the behavior indicated by the assertion type (i.e., no assertions
325 are needed in the nested policy expression), the assertion **MUST** include an empty `<wsp:Policy/>`
326 element. For further information consult the section Policy Assertion Nesting of [WS-Policy].

327 **2.3 Security Binding Abstraction**

328 As previously indicated, individual assertions are designed to be used in multiple combinations. The
329 binding represents common usage patterns for security mechanisms. These Security Binding assertions
330 are used to determine how the security is performed and what to expect in the `wsse:Security` header.

331 Bindings are described textually and enforced programmatically. This specification defines several
332 bindings but others can be defined and agreed to for interoperability if participating parties support it.

333

334 A binding defines the following security characteristics:

- 335 • The minimum set of tokens that will be used and how they are bound to messages. Note that
336 services might accept messages containing more tokens than those specified in policy.
- 337 • Any necessary key transport mechanisms
- 338 • Any required message elements (e.g. timestamps) in the `wsse:Security` header.
- 339 • The content and ordering of elements in the `wsse:Security` header. Elements not specified in
340 the binding are not allowed.
- 341 • Various parameters, including those describing the algorithms to be used for canonicalization,
342 signing and encryption.

343

344 Together the above pieces of information, along with the assertions describing conditions and scope,
345 provide enough information to secure messages between an initiator and a recipient. A policy consumer
346 has enough information to construct messages that conform to the service's policy and to process
347 messages returned by the service. Note that a service may choose to reject messages despite them
348 conforming to its policy, for example because a client certificate has been revoked. Note also that a
349 service may choose to accept messages that do not conform to its policy.

350

351 The following list identifies the bindings defined in this specification. The bindings are identified primarily
352 by the style of encryption used to protect the message exchange. A later section of this document
353 provides details on the assertions for these bindings.

- 354 • TransportBinding (Section 7.3)
- 355 • SymmetricBinding (Section 7.4)

- AsymmetricBinding (Section 7.5)

357 3 Policy Considerations

358 The following sections discuss details of WS-Policy and WS-PolicyAttachment relevant to this
359 specification.

360 3.1 Nested Policy

361 This specification makes extensive use of nested policy assertions as described in the [Policy Assertion](#)
362 [Nesting](#) section of WS-Policy.
363

364 3.2 Policy Subjects

365 WS-PolicyAttachment defines various attachment points for policy. This section defines properties that
366 are referenced later in this document describing the recommended or required attachment points for
367 various assertions. In addition, [Appendix A](#) groups the various assertions according to policy subject.

368 Note: This specification does not define any assertions that have a scope of [Service Policy Subject].

369 [Message Policy Subject]

370 This property identifies a Message Policy Subject [[WS-PolicyAttachment](#)]. WS-PolicyAttachment defines
371 seven WSDL [WSDL 1.1] policy attachment points with Message Policy Subject:
372

373 wsdl:message

374 A policy expression containing one or more assertions with Message Policy Subject MUST NOT
375 be attached to a wsdl:message.

376 wsdl:portType/wsdl:operation/wsdl:input, ./wsdl:output, or ./wsdl:fault

377 A policy expression containing one or more assertions with Message Policy Subject MUST NOT
378 be attached to a descendant of wsdl:portType.

379 wsdl:binding/wsdl:operation/wsdl:input, ./wsdl:output, or ./wsdl:fault

380 A policy expression containing one or more of the assertions with Message Policy Subject MUST
381 be attached to a descendant of wsdl:binding.

382 [Operation Policy Subject]

383 A token assertion with Operation Policy Subject indicates usage of the token on a per-operation basis:

384 wsdl:portType/wsdl:operation

385 A policy expression containing one or more token assertions MUST NOT be attached to a
386 wsdl:portType/wsdl:operation.

387 wsdl:binding/wsdl:operation

388 A policy expression containing one or more token assertions MUST be attached to a
389 wsdl:binding/wsdl:operation.

390

391

392 [Endpoint Policy Subject]

393 A token assertion instance with Endpoint Policy Subject indicates usage of the token for the entire set of
394 messages described for the endpoint:

395 wsdl:portType

396 A policy expression containing one or more assertions with Endpoint Policy Subject MUST NOT
397 be attached to a wsdl:portType.

398 wsdl:binding

399 A policy expression containing one or more of the assertions with Endpoint Policy Subject
400 SHOULD be attached to a wsdl:binding.

401 wsdl:port

402 A policy expression containing one or more of the assertions with Endpoint Policy Subject MAY
403 be attached to a wsdl:port

404 4 Protection Assertions

405 The following assertions are used to identify *what* is being protected and the level of protection provided.
406 These assertions SHOULD apply to [Message Policy Subject]. These assertions MAY apply to [Endpoint
407 Policy Subject] or [Operation Policy Subject]. Where they apply to [Operation Policy Subject] they apply to
408 all messages of that operation. Where they apply to [Endpoint Policy Subject] they apply to all operations
409 of that endpoint.

410 Note that when assertions defined in this section are present in a policy, the order of those assertions in
411 that policy has no effect on the order of signature and encryption operations (see Section 6.3).

412 4.1 Integrity Assertions

413 Two mechanisms are defined for specifying the set of message parts to integrity protect. One uses
414 QNames to specify either message headers or the message body while the other uses XPath
415 expressions to identify any part of the message.

416 4.1.1 SignedParts Assertion

417 The SignedParts assertion is used to specify the parts of the message outside of security headers that
418 require integrity protection. This assertion can be satisfied using WSS: SOAP Message Security
419 mechanisms or by mechanisms out of scope of SOAP message security, for example by sending the
420 message over a secure transport protocol like HTTPS. The binding specific token properties detail the
421 exact mechanism by which the protection is provided.

422

423 There MAY be multiple SignedParts assertions present. Multiple SignedParts assertions present within a
424 policy alternative are equivalent to a single SignedParts assertion containing the union of all specified
425 message parts. Note that this assertion does not require that a given part appear in a message, just that if
426 such a part appears, it requires integrity protection.

427 Syntax

```
428 <sp:SignedParts xmlns:sp="..." ... >  
429   <sp:Body />?  
430   <sp:Header Name="xs:NCName"? Namespace="xs:anyURI" ... />*  
431   <sp:Attachments />?  
432   ...  
433 </sp:SignedParts>
```

434

435 The following describes the attributes and elements listed in the schema outlined above:

436 /sp:SignedParts

437 This assertion specifies the parts of the message that need integrity protection. If no child
438 elements are specified, all message headers targeted at the UltimateReceiver role [SOAP12] or
439 actor [SOAP11] and the body of the message MUST be integrity protected.

440 /sp:SignedParts/sp:Body

441 Presence of this optional empty element indicates that the entire body, that is the soap:Body
442 element, its attributes and content, of the message needs to be integrity protected.

443 /sp:SignedParts/sp:Header

444 Presence of this optional element indicates a specific SOAP header, its attributes and content (or
445 set of such headers) needs to be protected. There may be multiple sp:Header elements within a

446 single sp:SignedParts element. If multiple SOAP headers with the same local name but different
447 namespace names are to be integrity protected multiple sp:Header elements are needed, either
448 as part of a single sp:SignedParts assertion or as part of separate sp:SignedParts assertions.
449 This element only applies to SOAP header elements targeted to the same actor/role as the
450 Security header impacted by the policy. If it is necessary to specify a requirement to sign specific
451 SOAP Header elements targeted to a different actor/role, that may be accomplished using the
452 sp:SignedElements assertion.

453 /sp:SignedParts/sp:Header/@Name

454 This optional attribute indicates the local name of the SOAP header to be integrity protected. If
455 this attribute is not specified, all SOAP headers whose namespace matches the Namespace
456 attribute are to be protected.

457 /sp:SignedParts/sp:Header/@Namespace

458 This required attribute indicates the namespace of the SOAP header(s) to be integrity protected.

459 /sp:SignedParts/sp:Attachments

460 Presence of this optional empty element indicates that all SwA (SOAP Messages with
461 Attachments) attachments [SwA] are to be integrity protected. When SOAP Message Security is
462 used to accomplish this, all message parts other than the part containing the primary SOAP
463 envelope are to be integrity protected as outlined in WSS: SOAP Message Security
464 [WSS:SwAProfile1.1].

465 4.1.2 SignedElements Assertion

466 The SignedElements assertion is used to specify arbitrary elements in the message that require integrity
467 protection. This assertion can be satisfied using WSS: SOAP Message Security mechanisms or by
468 mechanisms out of scope of SOAP message security, for example by sending the message over a
469 secure transport protocol like HTTPS. The binding specific token properties detail the exact mechanism
470 by which the protection is provided.

471
472 There MAY be multiple SignedElements assertions present. Multiple SignedElements assertions present
473 within a policy alternative are equivalent to a single SignedElements assertion containing the union of all
474 specified XPath expressions.

475 Syntax

```
476 <sp:SignedElements XPathVersion="xs:anyURI"? xmlns:sp="..." ... >  
477   <sp:XPath>xs:string</sp:XPath>+  
478   ...  
479 </sp:SignedElements>
```

480 The following describes the attributes and elements listed in the schema outlined above:

481 /sp:SignedElements

482 This assertion specifies the parts of the message that need integrity protection.

483 /sp:SignedElements/@XPathVersion

484 This optional attribute contains a URI which indicates the version of XPath to use. If no attribute is
485 provided, then XPath 1.0 is assumed.

486 /sp:SignedElements/sp:XPath

487 This element contains a string specifying an XPath expression that identifies the nodes to be
488 integrity protected. The XPath expression is evaluated against the S:Envelope element node of
489 the message. Multiple instances of this element may appear within this assertion and should be
490 treated as separate references in a signature when message security is used.

491 4.2 Confidentiality Assertions

492 Two mechanisms are defined for specifying the set of message parts to confidentiality protect. One uses
493 QNames to specify either message headers or the message body while the other uses XPath
494 expressions to identify any part of the message.

495 4.2.1 EncryptedParts Assertion

496 The EncryptedParts assertion is used to specify the parts of the message that require confidentiality. This
497 assertion can be satisfied with WSS: SOAP Message Security mechanisms or by mechanisms out of
498 scope of SOAP message security, for example by sending the message over a secure transport protocol
499 like HTTPS. The binding specific token properties detail the exact mechanism by which the protection is
500 provided.

501
502 There MAY be multiple EncryptedParts assertions present. Multiple EncryptedParts assertions present
503 within a policy alternative are equivalent to a single EncryptedParts assertion containing the union of all
504 specified message parts. Note that this assertion does not require that a given part appear in a message,
505 just that if such a part appears, it requires confidentiality protection.

506 Syntax

```
507 <sp:EncryptedParts xmlns:sp="..." ... >  
508   <sp:Body/>?  
509   <sp:Header Name="xs:NCName"? Namespace="xs:anyURI" ... />*  
510   <sp:Attachments />?  
511   ...  
512 </sp:EncryptedParts>
```

513
514 The following describes the attributes and elements listed in the schema outlined above:

515 /sp:EncryptedParts

516 This assertion specifies the parts of the message that need confidentiality protection. The single
517 child element of this assertion specifies the set of message parts using an extensible dialect.

518 If no child elements are specified, the body of the message MUST be confidentiality protected.

519 /sp:EncryptedParts/sp:Body

520 Presence of this optional empty element indicates that the entire body of the message needs to
521 be confidentiality protected. In the case where mechanisms from WSS: SOAP Message Security
522 are used to satisfy this assertion, then the soap:Body element is encrypted using the #Content
523 encryption type.

524 /sp:EncryptedParts/sp:Header

525 Presence of this optional element indicates that a specific SOAP header (or set of such headers)
526 needs to be protected. There may be multiple sp:Header elements within a single Parts element.
527 Each header or set of headers MUST be encrypted. Such encryption will encrypt such elements
528 using WSS 1.1 Encrypted Headers. As such, if WSS 1.1 Encrypted Headers are not supported by
529 a service, then this element cannot be used to specify headers that require encryption using
530 message level security. If multiple SOAP headers with the same local name but different
531 namespace names are to be encrypted then multiple sp:Header elements are needed, either as
532 part of a single sp:EncryptedParts assertion or as part of separate sp:EncryptedParts assertions.

533 /sp:EncryptedParts/sp:Header/@Name

534 This optional attribute indicates the local name of the SOAP header to be confidentiality
535 protected. If this attribute is not specified, all SOAP headers whose namespace matches the
536 Namespace attribute are to be protected.

537 /sp:EncryptedParts/sp:Header/@Namespace

538 This required attribute indicates the namespace of the SOAP header(s) to be confidentiality
539 protected.

540 /sp:EncryptedParts/sp:Attachments

541 Presence of this optional empty element indicates that all SwA (SOAP Messages with
542 Attachments) attachments [SwA] are to be confidentiality protected. When SOAP Message
543 Security is used to accomplish this, all message parts other than the part containing the primary
544 SOAP envelope are to be confidentiality protected as outlined in WSS: SOAP Message Security
545 [WSS:SwAProfile1.1].

546 4.2.2 EncryptedElements Assertion

547 The EncryptedElements assertion is used to specify arbitrary elements in the message that require
548 confidentiality protection. This assertion can be satisfied using WSS: SOAP Message Security
549 mechanisms or by mechanisms out of scope of SOAP message security, for example by sending the
550 message over a secure transport protocol like HTTPS. The binding specific token properties detail the
551 exact mechanism by which the protection is provided.

552

553 There MAY be multiple EncryptedElements assertions present. Multiple EncryptedElements assertions
554 present within a policy alternative are equivalent to a single EncryptedElements assertion containing the
555 union of all specified XPath expressions.

556 Syntax

```
557 <sp:EncryptedElements XPathVersion="xs:anyURI"? xmlns:sp="..." ... >  
558 <sp:XPath>xs:string</sp:XPath>+  
559 ...  
560 </sp:EncryptedElements>
```

561 The following describes the attributes and elements listed in the schema outlined above:

562 /sp:EncryptedElements

563 This assertion specifies the parts of the message that need confidentiality protection. Any such
564 elements are subject to #Element encryption.

565 /sp:EncryptedElements/@XPathVersion

566 This optional attribute contains a URI which indicates the version of XPath to use. If no attribute is
567 provided, then XPath 1.0 is assumed.

568 /sp:EncryptedElements/sp:XPath

569 This element contains a string specifying an XPath expression that identifies the nodes to be
570 confidentiality protected. The XPath expression is evaluated against the S:Envelope element
571 node of the message. Multiple instances of this element may appear within this assertion and
572 should be treated as separate references.

573 4.2.3 ContentEncryptedElements Assertion

574 The ContentEncryptedElements assertion is used to specify arbitrary elements in the message that
575 require confidentiality protection of their content. This assertion can be satisfied using WSS: SOAP
576 Message Security mechanisms or by mechanisms out of scope of SOAP message security, for example
577 by sending the message over a secure transport protocol like HTTPS. The binding specific token
578 properties detail the exact mechanism by which the protection is provided.

579

580 There MAY be multiple ContentEncryptedElements assertions present. Multiple
581 ContentEncryptedElements assertions present within a policy alternative are equivalent to a single
582 ContentEncryptedElements assertion containing the union of all specified XPath expressions.

583 **Syntax**

```
584 <sp:ContentEncryptedElements XPathVersion="xs:anyURI"? ...>  
585   <sp:XPath>xs:string</sp:XPath>+  
586   ...  
587 </sp:ContentEncryptedElements>
```

588 The following describes the attributes and elements listed in the schema outlined above:

589 /sp:ContentEncryptedElements

590 This assertion specifies the parts of the message that need confidentiality protection. Any such
591 elements are subject to #Content encryption.

592 /sp:ContentEncryptedElements/@XPathVersion

593 This optional attribute contains a URI which indicates the version of XPath to use.

594 /sp:ContentEncryptedElements/sp:XPath

595 This element contains a string specifying an XPath expression that identifies the nodes to be
596 confidentiality protected. The XPath expression is evaluated against the S:Envelope element
597 node of the message. Multiple instances of this element MAY appear within this assertion and
598 should be treated as separate references.

599 **4.3 Required Elements Assertion**

600 A mechanism is defined for specifying, using XPath expressions, the set of header elements that a
601 message MUST contain.

602

603 Note: Specifications are expected to provide domain specific assertions that specify which headers are
604 expected in a message. This assertion is provided for cases where such domain specific assertions have
605 not been defined.

606 **4.3.1 RequiredElements Assertion**

607 The RequiredElements assertion is used to specify header elements that the message MUST contain.
608 This assertion specifies no security requirements.

609

610 There MAY be multiple RequiredElements assertions present. Multiple RequiredElements assertions
611 present within a policy alternative are equivalent to a single RequiredElements assertion containing the
612 union of all specified XPath expressions.

613 **Syntax**

```
614 <sp:RequiredElements XPathVersion="xs:anyURI"? xmlns:sp="..." ... >  
615   <sp:XPath>xs:string</sp:XPath> +  
616   ...  
617 </sp:RequiredElements>
```

618

619 The following describes the attributes and elements listed in the schema outlined above:

620 /sp:RequiredElements

621 This assertion specifies the headers elements that MUST appear in a message.

622 /sp:RequiredElements/@XPathVersion

623 This optional attribute contains a URI which indicates the version of XPath to use. If no attribute is
624 provided, then XPath 1.0 is assumed.

625 /sp:RequiredElements/sp:XPath

626 This element contains a string specifying an XPath expression that identifies the header elements
627 that a message MUST contain. The XPath expression is evaluated against the
628 S:Envelope/S:Header element node of the message. Multiple instances of this element may
629 appear within this assertion and should be treated as a combined XPath expression.

630 4.3.2 RequiredParts Assertion

631 RequiredParts is a QName based alternative to the RequiredElements assertion (which is based on
632 XPATH) for specifying header elements that MUST be present in the message. This assertion specifies
633 no security requirements.

634

635 There MAY be multiple RequiredParts assertions present. Multiple RequiredParts assertions present
636 within a policy alternative are equivalent to a single RequiredParts assertion containing the union of all
637 specified Header elements.

638 Syntax

```
639 <sp:RequiredParts XPathVersion="xs:anyURI"? xmlns:sp="..." ... >  
640 <sp:Header Name = "..." Namespace= "..." /> +  
641 </sp:RequiredParts>
```

642

643 The following describes the attributes and elements listed in the schema outlined above:

644 /sp:RequiredParts/sp:Header

645 This assertion specifies the headers elements that MUST be present in the message.

646 /sp:RequiredParts/sp:Header/@Name

647 This required attribute indicates the local name of the SOAPHeader that needs to be present in
648 the message.

649 /sp:RequiredParts/sp:Header/@Namespace

650 This required attribute indicates the namespace of the SOAP header that needs to be present in
651 the message.

652 5 Token Assertions

653 Token assertions specify the type of tokens to use to protect or bind tokens and claims to the message.
654 These assertions do not recommend usage of a Policy Subject. Assertions which contain them SHOULD
655 recommend a policy attachment point. With the exception of transport token assertions, the token
656 assertions defined in this section are not specific to any particular security binding.

657 5.1 Token Inclusion

658 Any token assertion may also carry an optional `sp:IncludeToken` attribute. The schema type of this
659 attribute is `xs:anyURI`. This attribute indicates whether the token should be included, that is written, in
660 the message or whether cryptographic operations utilize an external reference mechanism to refer to the
661 key represented by the token. This attribute is defined as a global attribute in the `WS-SecurityPolicy`
662 namespace and is intended to be used by any specification that defines token assertions.

663 5.1.1 Token Inclusion Values

664 The following table describes the set of valid token inclusion mechanisms supported by this specification:

<code>http://docs.oasis-open.org/ws-sx/ws-securitypolicy/200702/IncludeToken/Never</code>	The token MUST NOT be included in any messages sent between the initiator and the recipient; rather, an external reference to the token should be used.
<code>http://docs.oasis-open.org/ws-sx/ws-securitypolicy/200702/IncludeToken/Once</code>	The token MUST be included in only one message sent from the initiator to the recipient. References to the token MAY use an internal reference mechanism. Subsequent related messages sent between the recipient and the initiator may refer to the token using an external reference mechanism.
<code>http://docs.oasis-open.org/ws-sx/ws-securitypolicy/200702/IncludeToken/AlwaysToRecipient</code>	The token MUST be included in all messages sent from initiator to the recipient. The token MUST NOT be included in messages sent from the recipient to the initiator.
<code>http://docs.oasis-open.org/ws-sx/ws-securitypolicy/200702/IncludeToken/AlwaysToInitiator</code>	The token MUST be included in all messages sent from the recipient to the initiator. The token MUST NOT be included in messages sent from the initiator to the recipient.
<code>http://docs.oasis-open.org/ws-sx/ws-securitypolicy/200702/IncludeToken/Always</code>	The token MUST be included in all messages sent between the initiator and the recipient. This is the default behavior.

665
666 Note: In examples, the namespace URI is replaced with "...". For example,
667 `.../IncludeToken/Never` is actually `http://docs.oasis-open.org/ws-sx/ws-`
668 `securitypolicy/200702/IncludeToken/Never`. Other token inclusion URI values MAY be defined but are out-
669 of-scope of this specification.

670 The default behavior characteristics defined by this specification if this attribute is not specified on a token
671 assertion are `.../IncludeToken/Always`.

672 **5.1.2 Token Inclusion and Token References**

673 A token assertion may carry a `sp:IncludeToken` attribute that requires that the token be included in the
674 message. The Web Services Security specifications [WSS10, WSS11] define mechanisms for how tokens
675 are included in a message.

676 Several Token assertions (see Section 5.3) support mechanisms for referencing tokens in addition to
677 Direct References, for example external URI references or references using a Thumbprint.

678 Certain combination of `sp:IncludeToken` value and token reference assertions can result in a token
679 appearing in a message more than once. For example, if a token assertion carries a `sp:IncludeToken`
680 attribute with a value of `'.../Always'` and that token assertion also contains a nested
681 `sp:RequireEmbeddedTokenReference` (see Section 5.3.3) assertion, then the token would be included
682 twice in the message. While such combinations are not in error, they are probably best avoided for
683 efficiency reasons.

684 If a token assertion contains multiple reference assertions, then references to that token are required to
685 contain all the specified reference types. For example, if a token assertion contains nested
686 `sp:RequireIssuerSerialReference` and `sp:RequireThumbprintReference` assertions then references to that
687 token contain both reference forms. Again, while such combinations are not in error, they are probably
688 best avoided for efficiency reasons.

689 **5.2 Token Issuer and Required Claims**

690 **5.2.1 Token Issuer**

691 Any token assertion may also carry an optional `sp:Issuer` element. The schema type of this element is
692 `wsa:EndpointReferenceType`. This element indicates the token issuing authority by pointing to the issuer
693 endpoint address. This element is defined as a global element in the WS-SecurityPolicy namespace and
694 is intended to be used by any specification that defines token assertions.

695 **5.2.2 Token Issuer Name**

696 Any token assertion may also carry an optional `sp:IssuerName` element. The schema type of this element
697 is `xs:anyURI`. This element indicated the token issuing authority by pointing to the issuer by using its
698 logical name. This element is defined as a global element in the WS-SecurityPolicy namespace and is
699 intended to be used by any specification that defines token assertions.

700
701 It is out of scope of this specification how the relationship between the issuer's logical name and the
702 physical manifestation of the issuer in the security token is defined.

703 While both `sp:Issuer` and `sp:IssuerName` elements are optional they are also mutually exclusive and
704 cannot be specified both at the same time.

705 **5.2.3 Required Claims**

706 Any token assertion may also carry an optional `wst:Claims` element. The element content is defined in the
707 WS-Trust namespace. This specification does not further define or limit the content of this element or the
708 `wst:Claims/@Dialect` attribute as it is out of scope of this document.

709
710 This element indicates the required claims that the security token must contain in order to satisfy the
711 requirements of the token assertion.

712
713 Individual token assertions may further limit what claims may be specified for that specific token assertion.

714 **5.2.4 Processing Rules and Token Matching**

715 The sender is free to compose the requirements expressed by token assertions inside the receiver's
716 policy to as many tokens as it sees fit. As long as the union of all tokens in the received message
717 contains the required set of claims from required token issuers the message is valid according to the
718 receiver's policy.

719 For example if the receiver's policy contains two token assertions, one requires IssuedToken from issuer
720 A with claims C1 and C2 and the second requires IssuedToken from issuer B with claims C3 and C4, the
721 sender can satisfy such requirements with any of the following security token decomposition:

- 722 1. Two tokens, T1 and T2. T1 is issued by issuer A and contains claims C1 and C2 and
723 T2 is issued by issuer B and contains claims C3 and C4.
- 724 2. Three tokens, T1, T2 and T3. T1 is issued by issuer A and contains claim C1, T2 is
725 also issued by issuer A and contains claim C2 and T3 is issued by issuer B and
726 contains claims C3 and C4.
- 727 3. Three tokens, T1, T2 and T3. T1 is issued by issuer A and contains claims C1 and C2,
728 T2 is issued by issuer B and contains claim C3 and T3 is also issued by issuer B and
729 contains claim C4.
- 730 4. Four tokens, T1, T2, T3 and T4. T1 is issued by issuer A and contains claim C1, T2 is
731 also issued by issuer A and contains claim C2, T3 is issued by issuer B and contains
732 claim C3 and T4 is also issued by issuer B and contains claim C4.
- 733

734 **5.3 Token Properties**

735 **5.3.1 [Derived Keys] Property**

736 This boolean property specifies whether derived keys should be used as defined in WS-
737 SecureConversation. If the value is 'true', derived keys **MUST** be used. If the value is 'false', derived keys
738 **MUST NOT** be used. The value of this property applies to a specific token. The value of this property is
739 populated by assertions specific to the token. The default value for this property is 'false'.

740 See the [Explicit Derived Keys] and [Implied Derived Key] properties below for information on how
741 particular forms of derived keys are specified.

742 Where the key material associated with a token is asymmetric, this property applies to the use of
743 symmetric keys encrypted with the key material associated with the token.

744 **5.3.2 [Explicit Derived Keys] Property**

745 This boolean property specifies whether Explicit Derived Keys (see Section 7 of [WS-
746 SecureConversation]) are allowed. If the value is 'true' then Explicit Derived Keys **MAY** be used. If the
747 value is 'false' then Explicit Derived Keys **MUST NOT** be used.

748 **5.3.3 [Implied Derived Keys] Property**

749 This boolean property specifies whether Implied Derived Keys (see Section 7.3 of [WS-
750 SecureConversation]) are allowed. If the value is 'true' then Implied Derived Keys **MAY** be used. If the
751 value is 'false' then Implied Derived Keys **MUST NOT** be used.

752 **5.4 Token Assertion Types**

753 The following sections describe the token assertions defined as part of this specification.

754 **5.4.1 UsernameToken Assertion**

755 This element represents a requirement to include a username token.

756 There are cases where encrypting the UsernameToken is reasonable. For example:

- 757 1. When transport security is not used.
- 758 2. When a plaintext password is used.
- 759 3. When a weak password hash is used.
- 760 4. When the username needs to be protected, e.g. for privacy reasons.

761 When the UsernameToken is to be encrypted it SHOULD be listed as a
762 SignedEncryptedSupportingToken (Section 8.5), EndorsingEncryptedSupportingToken (Section 8.6) or
763 SignedEndorsingEncryptedSupportingToken (Section 8.7).

764

765 Syntax

```
766 <sp:UsernameToken sp:IncludeToken="xs:anyURI"? xmlns:sp="..." ... >  
767   (  
768     <sp:Issuer>wsa:EndpointReferenceType</sp:Issuer> |  
769     <sp:IssuerName>xs:anyURI</sp:IssuerName>  
770   ) ?  
771   <wst:Claims Dialect="..."> ... </wst:Claims> ?  
772   <wsp:Policy xmlns:wsp="...">  
773     (  
774       <sp:NoPassword ... /> |  
775       <sp:HashPassword ... />  
776     ) ?  
777     (  
778       <sp:RequireDerivedKeys /> |  
779       <sp:RequireImpliedDerivedKeys ... /> |  
780       <sp:RequireExplicitDerivedKeys ... />  
781     ) ?  
782     (  
783       <sp:WssUsernameToken10 ... /> |  
784       <sp:WssUsernameToken11 ... />  
785     ) ?  
786     ...  
787   </wsp:Policy>  
788   ...  
789 </sp:UsernameToken>
```

790

791 The following describes the attributes and elements listed in the schema outlined above:

792 /sp:UsernameToken

793 This identifies a UsernameToken assertion.

794 /sp:UsernameToken/@sp:IncludeToken

795 This optional attribute identifies the token inclusion value for this token assertion.

796 /sp:UsernameToken/sp:Issuer

797 This optional element, of type wsa:EndpointReferenceType, contains reference to the issuer of
798 the sp:UsernameToken.

799 /sp:UsernameToken/sp:IssuerName

800 This optional element, of type xs:anyURI, contains the logical name of the sp:UsernameToken
801 issuer.

802 /sp:UsernameToken/wst:Claims

803 This optional element identifies the required claims that a security token must contain in order to
804 satisfy the token assertion requirements.

805 /sp:UsernameToken/wsp:Policy

806 This required element identifies additional requirements for use of the sp:UsernameToken
807 assertion.

808 /sp:UsernameToken/wsp:Policy/sp:NoPassword

809 This optional element is a policy assertion that indicates that the wsse:Password element MUST
810 NOT be present in the Username token.

811 /sp:UsernameToken/wsp:Policy/sp:HashPassword

812 This optional element is a policy assertion that indicates that the wsse:Password element MUST
813 be present in the Username token and that the content of the wsse:Password element MUST
814 contain a hash of the timestamp, nonce and password as defined in [WSS: Username Token
815 Profile].

816 /sp:UsernameToken/wsp:Policy/sp:RequireDerivedKeys

817 This optional element is a policy assertion that sets the [Derived Keys], [Explicit Derived Keys]
818 and [Implied Derived Keys] properties for this token to 'true'.

819 /sp:UsernameToken/wsp:Policy/sp:RequireExplicitDerivedKeys

820 This optional element is a policy assertion that sets the [Derived Keys] and [Explicit Derived Keys]
821 properties for this token to 'true' and the [Implied Derived Keys] property for this token to 'false'.

822 /sp:UsernameToken/wsp:Policy/sp:RequireImpliedDerivedKeys

823 This optional element is a policy assertion that sets the [Derived Keys] and [Implied Derived
824 Keys] properties for this token to 'true' and the [Explicit Derived Keys] property for this token to
825 'false'.

826 /sp:UsernameToken/wsp:Policy/sp:WssUsernameToken10

827 This optional element is a policy assertion that indicates that a Username token should be used
828 as defined in [\[WSS:UsernameTokenProfile1.0\]](#).

829 /sp:UsernameToken/wsp:Policy/sp:WssUsernameToken11

830 This optional element is a policy assertion that indicates that a Username token should be used
831 as defined in [\[WSS:UsernameTokenProfile1.1\]](#).

832 5.4.2 IssuedToken Assertion

833 This element represents a requirement for an issued token, which is one issued by some token issuer
834 using the mechanisms defined in WS-Trust. This assertion is used in 3rd party scenarios. For example,
835 the initiator may need to request a SAML token from a given token issuer in order to secure messages
836 sent to the recipient.

837 Syntax

```
838 <sp:IssuedToken sp:IncludeToken="xs:anyURI"? xmlns:sp="..." ... >
839 (
840 <sp:Issuer>wsa:EndpointReferenceType</sp:Issuer> |
841 <sp:IssuerName>xs:anyURI</sp:IssuerName>
842 ) ?
```

```

843 <wst:Claims Dialect="..."> ... </wst:Claims> ?
844 <sp:RequestSecurityTokenTemplate TrustVersion="xs:anyURI"? >
845   ...
846 </sp:RequestSecurityTokenTemplate>
847 <wsp:Policy xmlns:wsp="...">
848   (
849     <sp:RequireDerivedKeys ... /> |
850     <sp:RequireImpliedDerivedKeys ... /> |
851     <sp:RequireExplicitDerivedKeys ... />
852   ) ?
853   <sp:RequireExternalReference ... /> ?
854   <sp:RequireInternalReference ... /> ?
855   ...
856 </wsp:Policy>
857   ...
858 </sp:IssuedToken>

```

859 The following describes the attributes and elements listed in the schema outlined above:

860 /sp:IssuedToken

861 This identifies an IssuedToken assertion.

862 /sp:IssuedToken/@sp:IncludeToken

863 This optional attribute identifies the token inclusion value for this token assertion.

864 /sp:IssuedToken/sp:Issuer

865 This optional element, of type wsa:EndpointReferenceType, contains a reference to the issuer for
866 the issued token.

867 /sp:IssuedToken/sp:IssuerName

868 This optional element, of type xs:anyURI, contains the logical name of the sp:IssuedToken issuer.

869 /sp:IssuedToken/wst:Claims

870 This optional element identifies the required claims that a security token must contain in order to
871 satisfy the token assertion requirements.

872 /sp:IssuedToken/sp:RequestSecurityTokenTemplate

873 This required element contains elements which MUST be copied into the
874 wst:SecondaryParameters of the RST request sent to the specified issuer. Note: the initiator is
875 not required to understand the contents of this element.

876 See Appendix B for details of the content of this element.

877 /sp:IssuedToken/sp:RequestSecurityTokenTemplate/@TrustVersion

878 This optional attribute contains a WS-Trust specification namespace URI identifying the version of
879 WS-Trust referenced by the contents of this element.

880 /sp:IssuedToken/wsp:Policy

881 This required element identifies additional requirements for use of the sp:IssuedToken assertion.

882 /sp:IssuedToken/wsp:Policy/sp:RequireDerivedKeys

883 This optional element is a policy assertion that sets the [Derived Keys], [Explicit Derived Keys]
884 and [Implied Derived Keys] properties for this token to 'true'.

885 /sp:IssuedToken/wsp:Policy/sp:RequireExplicitDerivedKeys

886 This optional element is a policy assertion that sets the [Derived Keys] and [Explicit Derived Keys]
887 properties for this token to 'true' and the [Implied Derived Keys] property for this token to 'false'.

888 /sp:IssuedToken/wsp:Policy/sp:RequireImpliedDerivedKeys

889 This optional element is a policy assertion that sets the [Derived Keys] and [Implied Derived
890 Keys] properties for this token to 'true' and the [Explicit Derived Keys] property for this token to
891 'false'.

892 /sp:IssuedToken/wsp:Policy/sp:RequireInternalReference

893 This optional element is a policy assertion that indicates whether an internal reference is required
894 when referencing this token.

895 Note: This reference will be supplied by the issuer of the token.

896 /sp:IssuedToken/wsp:Policy/sp:RequireExternalReference

897 This optional element is a policy assertion that indicates whether an external reference is required
898 when referencing this token.

899 Note: This reference will be supplied by the issuer of the token.

900 Note: The IssuedToken may or may not be associated with key material and such key material may be
901 symmetric or asymmetric. The Binding assertion will imply the type of key associated with this token.
902 Services may also include information in the sp:RequestSecurityTokenTemplate element to
903 explicitly define the expected key type. See [Appendix B](#) for details of the
904 sp:RequestSecurityTokenTemplate element.

905 5.4.3 X509Token Assertion

906 This element represents a requirement for a binary security token carrying an X509 token.

907 Syntax

```
908 <sp:X509Token sp:IncludeToken="xs:anyURI"? xmlns:sp="..." ... >  
909   (  
910     <sp:Issuer>wsa:EndpointReferenceType</sp:Issuer> |  
911     <sp:IssuerName>xs:anyURI</sp:IssuerName>  
912   ) ?  
913   <wst:Claims Dialect="..."> ... </wst:Claims> ?  
914   <wsp:Policy xmlns:wsp="...">  
915     (  
916       <sp:RequireDerivedKeys ... /> |  
917       <sp:RequireExplicitDerivedKeys ... /> |  
918       <sp:RequireImpliedDerivedKeys ... />  
919     ) ?  
920     <sp:RequireKeyIdentifierReference ... /> ?  
921     <sp:RequireIssuerSerialReference ... /> ?  
922     <sp:RequireEmbeddedTokenReference ... /> ?  
923     <sp:RequireThumbprintReference ... /> ?  
924     (  
925       <sp:WssX509V3Token10 ... /> |  
926       <sp:WssX509Pkcs7Token10 ... /> |  
927       <sp:WssX509PkiPathV1Token10 ... /> |  
928       <sp:WssX509V1Token11 ... /> |  
929       <sp:WssX509V3Token11 ... /> |  
930       <sp:WssX509Pkcs7Token11 ... /> |  
931       <sp:WssX509PkiPathV1Token11 ... />  
932     ) ?  
933     ...  
934   </wsp:Policy>  
935   ...  
936 </sp:X509Token>
```

937

938 The following describes the attributes and elements listed in the schema outlined above:

939 /sp:X509Token

940 This identifies an X509Token assertion.

941 /sp:X509Token/@sp:IncludeToken
942 This optional attribute identifies the token inclusion value for this token assertion.

943 /sp:X509Token/sp:Issuer
944 This optional element, of type `wsa:EndpointReferenceType`, contains reference to the issuer of
945 the `sp:X509Token`.

946 /sp:X509Token/sp:IssuerName
947 This optional element, of type `xs:anyURI`, contains the logical name of the `sp:X509Token` issuer.

948 /sp:X509Token/wst:Claims
949 This optional element identifies the required claims that a security token must contain in order to
950 satisfy the token assertion requirements.

951 /sp:X509Token/wsp:Policy
952 This required element identifies additional requirements for use of the `sp:X509Token` assertion.

953 /sp:X509Token/wsp:Policy/sp:RequireDerivedKeys
954 This optional element is a policy assertion that sets the [Derived Keys], [Explicit Derived Keys]
955 and [Implied Derived Keys] properties for this token to 'true'.

956 /sp:X509Token/wsp:Policy/sp:RequireExplicitDerivedKeys
957 This optional element is a policy assertion that sets the [Derived Keys] and [Explicit Derived Keys]
958 properties for this token to 'true' and the [Implied Derived Keys] property for this token to 'false'.

959 /sp:X509Token/wsp:Policy/sp:RequireImpliedDerivedKeys
960 This optional element is a policy assertion that sets the [Derived Keys] and [Implied Derived
961 Keys] properties for this token to 'true' and the [Explicit Derived Keys] property for this token to
962 'false'.

963 /sp:X509Token/wsp:Policy/sp:RequireKeyIdentifierReference
964 This optional element is a policy assertion that indicates that a key identifier reference is required
965 when referencing this token.

966 /sp:X509Token/wsp:Policy/sp:RequireIssuerSerialReference
967 This optional element is a policy assertion that indicates that an issuer serial reference is required
968 when referencing this token.

969 /sp:X509Token/wsp:Policy/sp:RequireEmbeddedTokenReference
970 This optional element is a policy assertion that indicates that an embedded token reference is
971 required when referencing this token.

972 /sp:X509Token/wsp:Policy/sp:RequireThumbprintReference
973 This optional element is a policy assertion that indicates that a thumbprint reference is required
974 when referencing this token.

975 /sp:X509Token/wsp:Policy/sp:WssX509V3Token10
976 This optional element is a policy assertion that indicates that an X509 Version 3 token should be
977 used as defined in [\[WSS:X509TokenProfile1.0\]](#).

978 /sp:X509Token/wsp:Policy/sp:WssX509Pkcs7Token10
979 This optional element is a policy assertion that indicates that an X509 PKCS7 token should be
980 used as defined in [\[WSS:X509TokenProfile1.0\]](#).

981 /sp:X509Token/wsp:Policy/sp:WssX509PkiPathV1Token10
982 This optional element is a policy assertion that indicates that an X509 PKI Path Version 1 token
983 should be used as defined in [\[WSS:X509TokenProfile1.0\]](#).

- 984 /sp:X509Token/wsp:Policy/sp:WssX509V1Token11
- 985 This optional element is a policy assertion that indicates that an X509 Version 1 token should be
- 986 used as defined in [\[WSS:X509TokenProfile1.1\]](#).
- 987 /sp:X509Token/wsp:Policy/sp:WssX509V3Token11
- 988 This optional element is a policy assertion that indicates that an X509 Version 3 token should be
- 989 used as defined in [\[WSS:X509TokenProfile1.1\]](#).
- 990 /sp:X509Token/wsp:Policy/sp:WssX509Pkcs7Token11
- 991 This optional element is a policy assertion that indicates that an X509 PKCS7 token should be
- 992 used as defined in [\[WSS:X509TokenProfile1.1\]](#).
- 993 /sp:X509Token/wsp:Policy/sp:WssX509PkiPathV1Token11
- 994 This optional element is a policy assertion that indicates that an X509 PKI Path Version 1 token
- 995 should be used as defined in [\[WSS:X509TokenProfile1.1\]](#).

996 **5.4.4 KerberosToken Assertion**

997 This element represents a requirement for a Kerberos token [\[WSS:KerberosToken1.1\]](#).

998 **Syntax**

```

999 <sp:KerberosToken sp:IncludeToken="xs:anyURI"? xmlns:sp="..." ... >
1000 (
1001   <sp:Issuer>wsa:EndpointReferenceType</sp:Issuer> |
1002   <sp:IssuerName>xs:anyURI</sp:IssuerName>
1003 ) ?
1004 <wst:Claims Dialect="..."> ... </wst:Claims> ?
1005 <wsp:Policy xmlns:wsp="...">
1006   (
1007     <sp:RequireDerivedKeys ... /> |
1008     <sp:RequireImpliedDerivedKeys ... /> |
1009     <sp:RequireExplicitDerivedKeys ... />
1010   ) ?
1011   <sp:RequireKeyIdentifierReference ... /> ?
1012   (
1013     <sp:WssKerberosV5ApReqToken11 ... /> |
1014     <sp:WssGssKerberosV5ApReqToken11 ... />
1015   ) ?
1016   ...
1017 </wsp:Policy>
1018   ...
1019 </sp:KerberosToken>

```

1021

1022 The following describes the attributes and elements listed in the schema outlined above:

- 1023 /sp:KerberosToken
- 1024 This identifies a KerberosV5ApReqToken assertion.
- 1025 /sp:KerberosToken/@sp:IncludeToken
- 1026 This optional attribute identifies the token inclusion value for this token assertion.
- 1027 /sp:KerberosToken/sp:Issuer
- 1028 This optional element, of type wsa:EndpointReferenceType, contains reference to the issuer of
- 1029 the sp:KerberosToken.
- 1030 /sp:KerberosToken/sp:IssuerName

1031 This optional element, of type xs:anyURI, contains the logical name of the sp:KerberosToken
1032 issuer.

1033 /sp:KerberosToken/wst:Claims

1034 This optional element identifies the required claims that a security token must contain in order to
1035 satisfy the token assertion requirements.

1036 /sp:KerberosToken/wsp:Policy

1037 This required element identifies additional requirements for use of the sp:KerberosToken
1038 assertion.

1039 /sp:KerberosToken/wsp:Policy/sp:RequireDerivedKeys

1040 This optional element is a policy assertion that sets the [Derived Keys], [Explicit Derived Keys]
1041 and [Implied Derived Keys] properties for this token to 'true'.

1042 /sp:KerberosToken/wsp:Policy/sp:RequireExplicitDerivedKeys

1043 This optional element is a policy assertion that sets the [Derived Keys] and [Explicit Derived Keys]
1044 properties for this token to 'true' and the [Implied Derived Keys] property for this token to 'false'.

1045 /sp:KerberosToken/wsp:Policy/sp:RequireImpliedDerivedKeys

1046 This optional element is a policy assertion that sets the [Derived Keys] and [Implied Derived
1047 Keys] properties for this token to 'true' and the [Explicit Derived Keys] property for this token to
1048 'false'.

1049 /sp:KerberosToken/wsp:Policy/sp:RequireKeyIdentifierReference

1050 This optional element is a policy assertion that indicates that a key identifier reference is required
1051 when referencing this token.

1052 /sp:KerberosToken/wsp:Policy/sp:WssKerberosV5ApReqToken11

1053 This optional element is a policy assertion that indicates that a Kerberos Version 5 AP-REQ token
1054 should be used as defined in [[WSS:KerberosTokenProfile1.1](#)].

1055 /sp:KerberosToken/wsp:Policy/sp:WssGssKerberosV5ApReqToken11

1056 This optional element is a policy assertion that indicates that a GSS Kerberos Version 5 AP-REQ
1057 token should be used as defined in [[WSS:KerberosTokenProfile1.1](#)].

1058 5.4.5 SpnegoContextToken Assertion

1059 This element represents a requirement for a SecurityContextToken obtained by executing an n-leg
1060 RST/RSTR SPNEGO binary negotiation protocol with the Web Service, as defined in WS-Trust.

1061 Syntax

```
1062 <sp:SpnegoContextToken sp:IncludeToken="xs:anyURI"? xmlns:sp="..." ... >  
1063   (  
1064     <sp:Issuer>wsa:EndpointReferenceType</sp:Issuer> |  
1065     <sp:IssuerName>xs:anyURI</sp:IssuerName>  
1066   ) ?  
1067   <wst:Claims Dialect="..."> ... </wst:Claims> ?  
1068   <wsp:Policy xmlns:wsp="...">  
1069     (  
1070       <sp:RequireDerivedKeys ... /> |  
1071       <sp:RequireImpliedDerivedKeys ... /> |  
1072       <sp:RequireExplicitDerivedKeys ... />  
1073     ) ?  
1074     <sp:MustNotSendCancel ... /> ?  
1075     <sp:MustNotSendAmend ... /> ?
```

```
1076     <sp:MustNotSendRenew ... /> ?
1077     ...
1078     </wsp:Policy>
1079     ...
1080 </sp:SpnegoContextToken>
```

1081

1082 The following describes the attributes and elements listed in the schema outlined above:

1083 /sp:SpnegoContextToken

1084 This identifies a SpnegoContextToken assertion.

1085 /sp:SpnegoContextToken/@sp:IncludeToken

1086 This optional attribute identifies the token inclusion value for this token assertion.

1087 /sp:SpnegoContextToken/sp:Issuer

1088 This optional element, of type wsa:EndpointReferenceType, contains a reference to the issuer for
1089 the Spnego Context Token.

1090 /sp:SpnegoContextToken/sp:IssuerName

1091 This optional element, of type xs:anyURI, contains the logical name of the
1092 sp:SpnegoContextToken issuer.

1093 /sp:SpnegoContextToken/wst:Claims

1094 This optional element identifies the required claims that a security token must contain in order to
1095 satisfy the token assertion requirements.

1096 /sp:SpnegoContextToken/wsp:Policy

1097 This required element identifies additional requirements for use of the sp:SpnegoContextToken
1098 assertion.

1099 /sp:SpnegoContextToken/wsp:Policy/sp:RequireDerivedKeys

1100 This optional element is a policy assertion that sets the [Derived Keys], [Explicit Derived Keys]
1101 and [Implied Derived Keys] properties for this token to 'true'.

1102 /sp:SpnegoContextToken/wsp:Policy/sp:RequireExplicitDerivedKeys

1103 This optional element is a policy assertion that sets the [Derived Keys] and [Explicit Derived Keys]
1104 properties for this token to 'true' and the [Implied Derived Keys] property for this token to 'false'.

1105 /sp:SpnegoContextToken/wsp:Policy/sp:RequireImpliedDerivedKeys

1106 This optional element is a policy assertion that sets the [Derived Keys] and [Implied Derived
1107 Keys] properties for this token to 'true' and the [Explicit Derived Keys] property for this token to
1108 'false'.

1109 sp:SpnegoContextToken/wsp:Policy/sp:MustNotSendCancel

1110 This optional element is a policy assertion that indicates that the STS issuing the SP/Nego token
1111 does not support SCT/Cancel RST messages. If this assertion is missing it means that
1112 SCT/Cancel RST messages are supported by the STS.

1113 /sp:SpnegoContextToken/wsp:Policy/sp:MustNotSendAmend

1114 This optional element is a policy assertion that indicates that the STS issuing the SP/Nego token
1115 does not support SCT/Amend RST messages. If this assertion is missing it means that
1116 SCT/Amend RST messages are supported by the STS.

1117 /sp:SpnegoContextToken/wsp:Policy/sp:MustNotSendRenew

1118 This optional element is a policy assertion that indicates that the STS issuing the SP/Nego token
1119 does not support SCT/Renew RST messages. If this assertion is missing it means that
1120 SCT/Renew RST messages are supported by the STS.

1121 5.4.6 SecurityContextToken Assertion

1122 This element represents a requirement for a SecurityContextToken token.

1123 Syntax

```
1124 <sp:SecurityContextToken sp:IncludeToken="xs:anyURI"? xmlns:sp="..." ... >
1125 (
1126   <sp:Issuer>wsa:EndpointReferenceType</sp:Issuer> |
1127   <sp:IssuerName>xs:anyURI</sp:IssuerName>
1128 ) ?
1129 <wst:Claims Dialect="..."> ... </wst:Claims> ?
1130 <wsp:Policy xmlns:wsp="...">
1131   (
1132     <sp:RequireDerivedKeys ... /> |
1133     <sp:RequireImpliedDerivedKeys ... /> |
1134     <sp:RequireExplicitDerivedKeys ... />
1135   ) ?
1136   <sp:RequireExternalUriReference ... /> ?
1137   <sp:SC13SecurityContextToken... /> ?
1138   ...
1139 </wsp:Policy>
1140   ...
1141 </sp:SecurityContextToken>
```

1142
1143 The following describes the attributes and elements listed in the schema outlined above:

1144 /sp:SecurityContextToken

1145 This identifies a SecurityContextToken assertion.

1146 /sp:SecurityContextToken/@sp:IncludeToken

1147 This optional attribute identifies the token inclusion value for this token assertion.

1148 /sp:SecurityContextToken/sp:Issuer

1149 This optional element, of type wsa:EndpointReferenceType, contains reference to the issuer of
1150 the sp:SecurityContextToken.

1151 /sp:SecurityContextToken/sp:IssuerName

1152 This optional element, of type xs:anyURI, contains the logical name of the
1153 sp:SecurityContextToken issuer.

1154 /sp:SecurityContextToken/wst:Claims

1155 This optional element identifies the required claims that a security token must contain in order to
1156 satisfy the token assertion requirements.

1157 /sp:SecurityContextToken/wsp:Policy

1158 This required element identifies additional requirements for use of the sp:SecurityContextToken
1159 assertion.

1160 /sp:SecurityContextToken/wsp:Policy/sp:RequireDerivedKeys

1161 This optional element is a policy assertion that sets the [Derived Keys], [Explicit Derived Keys]
1162 and [Implied Derived Keys] properties for this token to 'true'.

1163 /sp:SecurityContextToken/wsp:Policy/sp:RequireExplicitDerivedKeys

1164 This optional element is a policy assertion that sets the [Derived Keys] and [Explicit Derived Keys]
1165 properties for this token to 'true' and the [Implied Derived Keys] property for this token to 'false'.

1166 /sp:SecurityContextToken/wsp:Policy/sp:RequireImpliedDerivedKeys

1167 This optional element is a policy assertion that sets the [Derived Keys] and [Implied Derived
1168 Keys] properties for this token to 'true' and the [Explicit Derived Keys] property for this token to
1169 'false'.

1170 /sp:SecurityContextToken/wsp:Policy/sp:RequireExternalUriReference

1171 This optional element is a policy assertion that indicates that an external URI reference is
1172 required when referencing this token.

1173 /sp:SecurityContextToken/wsp:Policy/sp:SC13SecurityContextToken

1174 This optional element is a policy assertion that indicates that a Security Context Token should be
1175 used as defined in [\[WS-SecureConversation\]](#).

1176

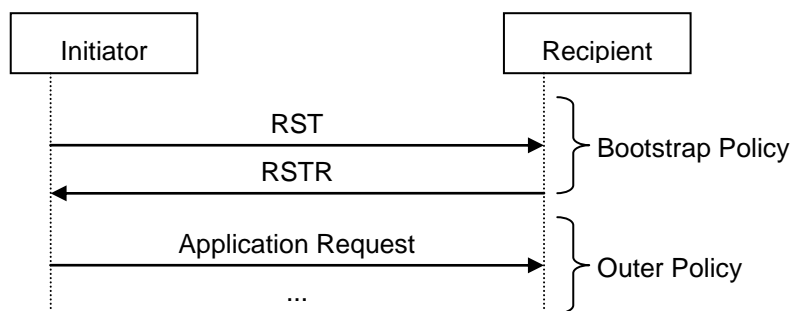
1177 Note: This assertion does not describe how to obtain a Security Context Token but rather assumes that
1178 both parties have the token already or have agreed separately on a mechanism for obtaining the token. If
1179 a definition of the mechanism for obtaining the Security Context Token is desired in policy, then either the
1180 sp:SecureConversationToken or the sp:IssuedToken assertion should be used instead.

1181 5.4.7 SecureConversationToken Assertion

1182 This element represents a requirement for a Security Context Token retrieved from the indicated issuer
1183 address. If the sp:Issuer address is absent, the protocol MUST be executed at the same address as the
1184 service endpoint address.

1185

1186 Note: This assertion describes the token accepted by the target service. Because this token is issued by
1187 the target service and may not have a separate port (with separate policy), this assertion SHOULD
1188 contain a bootstrap policy indicating the security binding and policy that is used when requesting this
1189 token from the target service. That is, the bootstrap policy is used to obtain the token and then the
1190 current (outer) policy is used when making requests with the token. This is illustrated in the diagram
1191 below.



1192

1193 Syntax

```
1194 <sp:SecureConversationToken sp:IncludeToken="xs:anyURI"? xmlns:sp="..." ... >
1195 (
1196   <sp:Issuer>wsa:EndpointReferenceType</sp:Issuer> |
1197   <sp:IssuerName>xs:anyURI</sp:IssuerName>
1198 ) ?
1199 <wst:Claims Dialect="..."> ... </wst:Claims> ?
1200 <wsp:Policy xmlns:wsp="...">
1201 (
1202   <sp:RequireDerivedKeys ... /> |
1203   <sp:RequireImpliedDerivedKeys ... /> |
1204   <sp:RequireExplicitDerivedKeys ... />
1205 ) ?
1206 <sp:RequireExternalUriReference ... /> ?
1207 <sp:SC13SecurityContextToken ... /> ?
```

```

1208 <sp:MustNotSendCancel ... /> ?
1209 <sp:MustNotSendAmend ... /> ?
1210 <sp:MustNotSendRenew ... /> ?
1211 <sp:BootstrapPolicy ... >
1212 <wsp:Policy> ... </wsp:Policy>
1213 </sp:BootstrapPolicy> ?
1214 </wsp:Policy>
1215 ...
1216 </sp:SecureConversationToken>

```

1217

1218 The following describes the attributes and elements listed in the schema outlined above:

1219 /sp:SecureConversationToken

1220 This identifies a SecureConversationToken assertion.

1221 /sp:SecureConversationToken/@sp:IncludeToken

1222 This optional attribute identifies the token inclusion value for this token assertion.

1223 /sp:SecureConversationToken/sp:Issuer

1224 This optional element, of type `wsa:EndpointReferenceType`, contains a reference to the issuer for
 1225 the Security Context Token.

1226 /sp:SecureConversationToken/sp:IssuerName

1227 This optional element, of type `xs:anyURI`, contains the logical name of the
 1228 `sp:SecureConversationToken` issuer.

1229 /sp:SpnegoContextToken/wst:Claims

1230 This optional element identifies the required claims that a security token must contain in order to
 1231 satisfy the token assertion requirements.

1232 /sp:SecureConversationToken/wsp:Policy

1233 This required element identifies additional requirements for use of the
 1234 `sp:SecureConversationToken` assertion.

1235 /sp:SecureConversationToken/wsp:Policy/sp:RequireDerivedKeys

1236 This optional element is a policy assertion that sets the [Derived Keys], [Explicit Derived Keys]
 1237 and [Implied Derived Keys] properties for this token to 'true'.

1238 /sp:SecureConversationToken/wsp:Policy/sp:RequireExplicitDerivedKeys

1239 This optional element is a policy assertion that sets the [Derived Keys] and [Explicit Derived Keys]
 1240 properties for this token to 'true' and the [Implied Derived Keys] property for this token to 'false'.

1241 /sp:SecureConversationToken/wsp:Policy/sp:RequireImpliedDerivedKeys

1242 This optional element is a policy assertion that sets the [Derived Keys] and [Implied Derived
 1243 Keys] properties for this token to 'true' and the [Explicit Derived Keys] property for this token to
 1244 'false'.

1245 /sp:SecureConversationToken/wsp:Policy/sp:RequireExternalUriReference

1246 This optional element is a policy assertion that indicates that an external URI reference is
 1247 required when referencing this token.

1248 /sp:SecureConversationToken/wsp:Policy/sp:SC13SecurityContextToken

1249 This optional element is a policy assertion that indicates that a Security Context Token should be
 1250 used as obtained using the protocol defined in [[WS-SecureConversation](#)].

1251 /sp:SecureConversationToken/wsp:Policy/sp:MustNotSendCancel

1252 This optional element is a policy assertion that indicates that the STS issuing the secure
1253 conversation token does not support SCT/Cancel RST messages. If this assertion is missing it
1254 means that SCT/Cancel RST messages are supported by the STS.

1255 /sp:SecureConversationToken/wsp:Policy/sp:MustNotSendAmend

1256 This optional element is a policy assertion that indicates that the STS issuing the secure
1257 conversation token does not support SCT/Amend RST messages. If this assertion is missing it
1258 means that SCT/Amend RST messages are supported by the STS.

1259 /sp:SecureConversationToken/wsp:Policy/sp:MustNotSendRenew

1260 This optional element is a policy assertion that indicates that the STS issuing the secure
1261 conversation token does not support SCT/Renew RST messages. If this assertion is missing it
1262 means that SCT/Renew RST messages are supported by the STS.

1263 /sp:SecureConversationToken/wsp:Policy/sp:BootstrapPolicy

1264 This optional element is a policy assertion that contains the policy indicating the requirements for
1265 obtaining the Security Context Token.

1266 /sp:SecureConversationToken/wsp:Policy/sp:BootstrapPolicy/wsp:Policy

1267 This element contains the security binding requirements for obtaining the Security Context Token.
1268 It will typically contain a security binding assertion (e.g. sp:SymmetricBinding) along with
1269 protection assertions (e.g. sp:SignedParts) describing the parts of the RST/RSTR messages that
1270 are to be protected.

1271 Example

```
1272 <wsp:Policy xmlns:wsp="..." xmlns:sp="...">  
1273 <sp:SymmetricBinding>  
1274 <wsp:Policy>  
1275 <sp:ProtectionToken>  
1276 <wsp:Policy>  
1277 <sp:SecureConversationToken>  
1278 <sp:Issuer>  
1279 <wsa:Address>http://example.org/sts</wsa:Address>  
1280 </sp:Issuer>  
1281 </wsp:Policy>
```

```

1282         <sp:SC10SecurityContextToken />
1283         <sp:BootstrapPolicy>
1284             <wsp:Policy>
1285                 <sp:AsymmetricBinding>
1286                     <wsp:Policy>
1287                         <sp:InitiatorToken>
1288                             ...
1289                         </sp:InitiatorToken>
1290                         <sp:RecipientToken>
1291                             ...
1292                         </sp:RecipientToken>
1293                     </wsp:Policy>
1294                 </sp:AsymmetricBinding>
1295                 <sp:SignedParts>
1296                     ...
1297                 </sp:SignedParts>
1298                 ...
1299             </wsp:Policy>
1300         </sp:BootstrapPolicy>
1301     </wsp:Policy>
1302 </sp:SecureConversationToken>
1303 </wsp:Policy>
1304 </sp:ProtectionToken>
1305     ...
1306 </wsp:Policy>
1307 </sp:SymmetricBinding>
1308 <sp:SignedParts>
1309     ...
1310 </sp:SignedParts>
1311     ...
1312 </wsp:Policy>

```

1313 5.4.8 SamlToken Assertion

1314 This element represents a requirement for a SAML token.

1315 Syntax

```

1316 <sp:SamlToken sp:IncludeToken="xs:anyURI"? xmlns:sp="..." ... >
1317 (
1318     <sp:Issuer>wsa:EndpointReferenceType</sp:Issuer> |
1319     <sp:IssuerName>xs:anyURI</sp:IssuerName>
1320 ) ?
1321 <wst:Claims Dialect="..."> ... </wst:Claims> ?
1322 <wsp:Policy xmlns:wsp="...">
1323 (
1324     <sp:RequireDerivedKeys ... /> |
1325     <sp:RequireImpliedDerivedKeys ... /> |
1326     <sp:RequireExplicitDerivedKeys ... />
1327 ) ?
1328 <sp:RequireKeyIdentifierReference ... /> ?
1329 (
1330     <sp:WssSamlV11Token10 ... /> |
1331     <sp:WssSamlV11Token11 ... /> |
1332     <sp:WssSamlV20Token11 ... />
1333 ) ?
1334     ...
1335 </wsp:Policy>
1336     ...
1337 </sp:SamlToken>

```

1338

1339 The following describes the attributes and elements listed in the schema outlined above:

1340 /sp:SamIToken
1341 This identifies a SamIToken assertion.

1342 /sp:SamIToken/@sp:IncludeToken
1343 This optional attribute identifies the token inclusion value for this token assertion.

1344 /sp:SamIToken/sp:Issuer
1345 This optional element, of type `wsa:EndpointReferenceType`, contains reference to the issuer of
1346 the `sp:SamIToken`.

1347 /sp:SamIToken/sp:IssuerName
1348 This optional element, of type `xs:anyURI`, contains the logical name of the `sp:SamIToken` issuer.

1349 /sp:SamIToken/wst:Claims
1350 This optional element identifies the required claims that a security token must contain in order to
1351 satisfy the token assertion requirements.

1352 /sp:SamIToken/wsp:Policy
1353 This required element identifies additional requirements for use of the `sp:SamIToken` assertion.

1354 /sp:SamIToken/wsp:Policy/sp:RequireDerivedKeys
1355 This optional element is a policy assertion that sets the [Derived Keys], [Explicit Derived Keys]
1356 and [Implied Derived Keys] properties for this token to 'true'.

1357 /sp:SamIToken/wsp:Policy/sp:RequireExplicitDerivedKeys
1358 This optional element is a policy assertion that sets the [Derived Keys] and [Explicit Derived Keys]
1359 properties for this token to 'true' and the [Implied Derived Keys] property for this token to 'false'.

1360 /sp:SamIToken/wsp:Policy/sp:RequireImpliedDerivedKeys
1361 This optional element is a policy assertion that sets the [Derived Keys] and [Implied Derived
1362 Keys] properties for this token to 'true' and the [Explicit Derived Keys] property for this token to
1363 'false'.

1364 /sp:SamIToken/wsp:Policy/sp:RequireKeyIdentifierReference
1365 This optional element is a policy assertion that indicates that a key identifier reference is required
1366 when referencing this token.

1367 /sp:SamIToken/wsp:Policy/sp:WssSamIV11Token10
1368 This optional element is a policy assertion that identifies that a SAML Version 1.1 token should be
1369 used as defined in [\[WSS:SAMLTokenProfile1.0\]](#).

1370 /sp:SamIToken/wsp:Policy/sp:WssSamIV11Token11
1371 This optional element is a policy assertion that identifies that a SAML Version 1.1 token should be
1372 used as defined in [\[WSS:SAMLTokenProfile1.1\]](#).

1373 /sp:SamIToken/wsp:Policy/sp:WssSamIV20Token11
1374 This optional element is a policy assertion that identifies that a SAML Version 2.0 token should be
1375 used as defined in [\[WSS:SAMLTokenProfile1.1\]](#).

1376
1377 Note: This assertion does not describe how to obtain a SAML Token but rather assumes that both parties
1378 have the token already or have agreed separately on a mechanism for obtaining the token. If a definition
1379 of the mechanism for obtaining the SAML Token is desired in policy, the `sp:IssuedToken` assertion should
1380 be used instead.

1381 5.4.9 RelToken Assertion

1382 This element represents a requirement for a REL token.

1383 Syntax

```
1384 <sp:RelToken sp:IncludeToken="xs:anyURI"? xmlns:sp="..." ... >
1385 (
1386   <sp:Issuer>wsa:EndpointReferenceType</sp:Issuer> |
1387   <sp:IssuerName>xs:anyURI</sp:IssuerName>
1388 ) ?
1389 <wst:Claims Dialect="..."> ... </wst:Claims> ?
1390 <wsp:Policy xmlns:wsp="...">
1391   (
1392     <sp:RequireDerivedKeys ... /> |
1393     <sp:RequireImpliedDerivedKeys ... /> |
1394     <sp:RequireExplicitDerivedKeys ... />
1395   ) ?
1396   <sp:RequireKeyIdentifierReference ... /> ?
1397   (
1398     <sp:WssRelV10Token10 ... /> |
1399     <sp:WssRelV20Token10 ... /> |
1400     <sp:WssRelV10Token11 ... /> |
1401     <sp:WssRelV20Token11 ... />
1402   ) ?
1403   ...
1404 </wsp:Policy>
1405   ...
1406 </sp:RelToken>
```

1407

1408 The following describes the attributes and elements listed in the schema outlined above:

1409 /sp:RelToken

1410 This identifies a RelToken assertion.

1411 /sp:RelToken/@sp:IncludeToken

1412 This optional attribute identifies the token inclusion value for this token assertion.

1413 /sp:RelToken/sp:Issuer

1414 This optional element, of type wsa:EndpointReferenceType, contains reference to the issuer of
1415 the sp:RelToken.

1416 /sp:RelToken/sp:IssuerName

1417 This optional element, of type xs:anyURI, contains the logical name of the sp:RelToken issuer.

1418 /sp:RelToken/wst:Claims

1419 This optional element identifies the required claims that a security token must contain in order to
1420 satisfy the token assertion requirements.

1421 /sp:RelToken/wsp:Policy

1422 This required element identifies additional requirements for use of the sp:RelToken assertion.

1423 /sp:RelToken/wsp:Policy/sp:RequireDerivedKeys

1424 This optional element is a policy assertion that sets the [Derived Keys], [Explicit Derived Keys]
1425 and [Implied Derived Keys] property for this token to 'true'.

1426 /sp:RelToken/wsp:Policy/sp:RequireExplicitDerivedKeys

1427 This optional element is a policy assertion that sets the [Derived Keys] and [Explicit Derived Keys]
1428 properties for this token to 'true' and the [Implied Derived Keys] property for this token to 'false'.

- 1429 /sp:RelToken/wsp:Policy/sp:RequireImpliedDerivedKeys
- 1430 This optional element is a policy assertion that sets the [Derived Keys] and [Implied Derived
1431 Keys] properties for this token to 'true' and the [Explicit Derived Keys] property for this token to
1432 'false'.
- 1433 /sp:RelToken/wsp:Policy/sp:RequireKeyIdentifierReference
- 1434 This optional element is a policy assertion that indicates that a key identifier reference is required
1435 when referencing this token.
- 1436 /sp:RelToken/wsp:Policy/sp:WssRelV10Token10
- 1437 This optional element is a policy assertion that identifies that a REL Version 1.0 token should be
1438 used as defined in [WSS:RELTOKENPROFILE1.0].
- 1439 /sp:RelToken/wsp:Policy/sp:WssRelV20Token10
- 1440 This optional element is a policy assertion that identifies that a REL Version 2.0 token should be
1441 used as defined in [WSS:RELTOKENPROFILE1.0].
- 1442 /sp:RelToken/wsp:Policy/sp:WssRelV10Token11
- 1443 This optional element is a policy assertion that identifies that a REL Version 1.0 token should be
1444 used as defined in [WSS:RELTOKENPROFILE1.1].
- 1445 /sp:RelToken/wsp:Policy/sp:WssRelV20Token11
- 1446 This optional element is a policy assertion that identifies that a REL Version 2.0 token should be
1447 used as defined in [WSS:RELTOKENPROFILE1.1].
- 1448
- 1449 Note: This assertion does not describe how to obtain a REL Token but rather assumes that both parties
1450 have the token already or have agreed separately on a mechanism for obtaining the token. If a definition
1451 of the mechanism for obtaining the REL Token is desired in policy, the sp:IssuedToken assertion should
1452 be used instead.

1453 5.4.10 HttpsToken Assertion

1454 This element represents a requirement for a transport binding to support the use of HTTPS.

1455 Syntax

```

1456 <sp:HttpsToken xmlns:sp="..." ... >
1457 (
1458   <sp:Issuer>wsa:EndpointReferenceType</sp:Issuer> |
1459   <sp:IssuerName>xs:anyURI</sp:IssuerName>
1460 ) ?
1461 <wst:Claims Dialect="..."> ... </wst:Claims> ?
1462 <wsp:Policy xmlns:wsp="...">
1463 (
1464   <sp:HttpBasicAuthentication /> |
1465   <sp:HttpDigestAuthentication /> |
1466   <sp:RequireClientCertificate /> |
1467   ...
1468 ) ?
1469 ...
1470 </wsp:Policy>
1471 ...
1472 </sp:HttpsToken>

```

1473 The following describes the attributes and elements listed in the schema outlined above:

- 1474 /sp:HttpsToken
- 1475 This identifies an Https assertion stating that use of the HTTPS protocol specification is
1476 supported.

1477 /sp:HttpsToken/sp:Issuer
 1478 This optional element, of type wsa:EndpointReferenceType, contains reference to the issuer of
 1479 the sp:HttpsToken.

1480 /sp:HttpsToken/sp:IssuerName
 1481 This optional element, of type xs:anyURI, contains the logical name of the sp:HttpsToken issuer.

1482 /sp:HttpsToken/wst:Claims
 1483 This optional element identifies the required claims that a security token must contain in order to
 1484 satisfy the token assertion requirements.

1485 /sp:HttpsToken/wsp:Policy
 1486 This required element identifies additional requirements for use of the sp:HttpsToken assertion.

1487 /sp:HttpsToken/wsp:Policy/sp:HttpBasicAuthentication
 1488 This optional element is a policy assertion that indicates that the client MUST use HTTP Basic
 1489 Authentication [RFC2068] to authenticate to the service.

1490 /sp:HttpsToken/wsp:Policy/sp:HttpDigestAuthentication
 1491 This optional element is a policy assertion that indicates that the client MUST use HTTP Digest
 1492 Authentication [RFC2068] to authenticate to the service.

1493 /sp:HttpsToken/wsp:Policy/sp:RequireClientCertificate
 1494 This optional element is a policy assertion that indicates that the client MUST provide a certificate
 1495 when negotiating the HTTPS session.

1496 **5.4.11 KeyValueToken Assertion**

1497 This element represents a requirement for a KeyValue token. The next section defines the KeyValue
 1498 security token abstraction for purposes of this token assertion.

1499 This document defines requirements for KeyValue token when used in combination with RSA
 1500 cryptographic algorithm. Additional cryptographic algorithms can be introduced in other specifications by
 1501 introducing new nested assertions besides *sp:RsaKeyValue*.
 1502

1503 **Syntax**

```

1504 <sp:KeyValueToken sp:IncludeToken="xs:anyURI"? xmlns:sp="..." ... >
1505   <wsp:Policy xmlns:wsp="...">
1506     <sp:RsaKeyValue ... /> ?
1507     ...
1508   </wsp:Policy>
1509   ...
1510 </sp:KeyValueToken>
  
```

1511 The following describes the attributes listed in the schema outlined above:

1512 /sp:KeyValueToken
 1513 This identifies a RsaToken assertion.

1514 /sp:KeyValueToken/@sp:IncludeToken
 1515 This optional attribute identifies the token inclusion value for this token assertion.

1516 /sp:KeyValueToken/wsp:Policy
 1517 This required element identifies additional requirements for use of the sp:KeyValueToken
 1518 assertion.

1519 /sp:KeyValueToken/wsp:Policy/sp:RsaKeyValue

1520 This optional element is a policy assertion that indicates that the `ds:RSAKeyValue` element must
1521 be present in the `KeyValue` token. This indicates that an RSA key pair must be used.

1522 5.4.11.1 KeyValue Token

1523 XML Signature specification allows reference an arbitrary key pair by using the corresponding public key
1524 value. This allows using an arbitrary key pair to sign or encrypt XML elements. The purpose of this
1525 section is to define the `KeyValue` token abstraction that represents such key pair referencing mechanism.
1526

1527 Although the `ds:KeyValue` element as defined in the XML Signature specification is generic enough to be
1528 used with any asymmetric cryptographic algorithm this document only profiles the usage of `ds:KeyValue`
1529 element in combination with RSA cryptographic algorithm.
1530

1531 The RSA key pair is represented by the `ds:KeyInfo` element containing the `ds:KeyValue` element with the
1532 RSA public key value in `ds:RSAKeyValue` as defined in the XML Signature specification:

```
1533 <ds:KeyInfo xmlns="http://www.w3.org/2000/09/xmldsig#">  
1534   <ds:KeyValue>  
1535     <ds:RSAKeyValue>  
1536       <ds:Modulus>ds:CryptoBinary</ds:Modulus>  
1537       <ds:Exponent>ds:CryptoBinary</ds:Exponent>  
1538     </ds:RSAKeyValue>  
1539   </ds:KeyValue>  
1540 </ds:KeyInfo>
```

1541 When the `KeyValue` token is used the corresponding public key value appears directly in the signature or
1542 encrypted data `ds:KeyInfo` element like in the following example. There is no `KeyValue` token
1543 manifestation outside the `ds:KeyInfo` element.
1544

```
1545 <Signature xmlns="http://www.w3.org/2000/09/xmldsig#">  
1546   <SignedInfo>  
1547     <CanonicalizationMethod Algorithm="http://www.w3.org/2001/10/xml-exc-  
1548 c14n#" />  
1549     <SignatureMethod Algorithm="http://www.w3.org/2000/09/xmldsig#rsa-sha1" />  
1550     <Reference URI="#_1">  
1551       <Transforms>  
1552         <Transform Algorithm="http://www.w3.org/2001/10/xml-exc-c14n#" />  
1553       </Transforms>  
1554       <DigestMethod Algorithm="http://www.w3.org/2000/09/xmldsig#sha1" />  
1555       <DigestValue>...</DigestValue>  
1556     </Reference>  
1557   </SignedInfo>  
1558   <SignatureValue>...</SignatureValue>  
1559   <KeyInfo>  
1560     <KeyValue>  
1561       <RSAKeyValue>  
1562         <Modulus>...</Modulus>  
1563         <Exponent>...</Exponent>  
1564       </RSAKeyValue>  
1565     </KeyValue>  
1566   </KeyInfo>  
1567 </Signature>
```

1568 Since there is no representation of the `KeyValue` token outside the `ds:KeyInfo` element and thus no
1569 identifier can be associated with the token, the `KeyValue` token cannot be referenced by using
1570 `wsse:SecurityTokenReference` element. However the `ds:KeyInfo` element representing the `KeyValue`
1571 token can be used whenever a security token can be used as illustrated on the following example:
1572

```
1573 <t:RequestSecurityToken xmlns:t="...">  
1574   <t:RequestType>...</t:RequestType>  
1575   ...  
1576   <t:UseKey>  
1577     <KeyInfo xmlns="http://www.w3.org/2000/09/xmldsig#">
```

```
1578     <KeyValue>
1579         <RSAKeyValue>
1580             <Modulus>...</Modulus>
1581             <Exponent>...</Exponent>
1582         </RSAKeyValue>
1583     </KeyValue>
1584 </KeyInfo>
1585 </t:UseKey>
1586 </t:RequestSecurityToken>
```

1587

6 Security Binding Properties

1588 This section defines the various properties or conditions of a security binding, their semantics, values and
1589 defaults where appropriate. Properties are used by a binding in a manner similar to how variables are
1590 used in code. Assertions populate, (or set) the value of the property (or variable). When an assertion that
1591 populates a value of a property appears in a policy, that property is set to the value indicated by the
1592 assertion. The security binding then uses the value of the property to control its behavior. The properties
1593 listed here are common to the various security bindings described in Section 7. Assertions that define
1594 values for these properties are defined in Section 7. The following properties are used by the security
1595 binding assertions.

1596 6.1 [Algorithm Suite] Property

1597 This property specifies the algorithm suite required for performing cryptographic operations with
1598 symmetric or asymmetric key based security tokens. An algorithm suite specifies actual algorithms and
1599 allowed key lengths. A policy alternative will define what algorithms are used and how they are used. This
1600 property defines the set of available algorithms. The value of this property is typically referenced by a
1601 security binding and is used to specify the algorithms used for all message level cryptographic operations
1602 performed under the security binding.

1603 Note: In some cases, this property MAY be referenced under a context other than a security binding and
1604 used to control the algorithms used under that context. For example, supporting token assertions define
1605 such a context. In such contexts, the specified algorithms still apply to message level cryptographic
1606 operations.

1607 An algorithm suite defines values for each of the following operations and properties:

- 1608 • [Sym Sig] Symmetric Key Signature
- 1609 • [Asym Sig] Signature with an asymmetric key
- 1610 • [Dig] Digest
- 1611 • [Enc] Encryption
- 1612 • [Sym KW] Symmetric Key Wrap
- 1613 • [Asym KW] Asymmetric Key Wrap
- 1614 • [Comp Key] Computed key
- 1615 • [Enc KD] Encryption key derivation
- 1616 • [Sig KD] Signature key derivation
- 1617 • [Min SKL] Minimum symmetric key length
- 1618 • [Max SKL] Maximum symmetric key length
- 1619 • [Min AKL] Minimum asymmetric key length
- 1620 • [Max AKL] Maximum asymmetric key length

1621

1622 The following table provides abbreviations for the algorithm URI used in the table below:

Abbreviation	Algorithm URI
HmacSha1	http://www.w3.org/2000/09/xmlldsig#hmac-sha1
RsaSha1	http://www.w3.org/2000/09/xmlldsig#rsa-sha1
Sha1	http://www.w3.org/2000/09/xmlldsig#sha1
Sha256	http://www.w3.org/2001/04/xmllenc#sha256

Sha512	http://www.w3.org/2001/04/xmlenc#sha512
Aes128	http://www.w3.org/2001/04/xmlenc#aes128-cbc
Aes192	http://www.w3.org/2001/04/xmlenc#aes192-cbc
Aes256	http://www.w3.org/2001/04/xmlenc#aes256-cbc
TripleDes	http://www.w3.org/2001/04/xmlenc#tripledes-cbc
KwAes128	http://www.w3.org/2001/04/xmlenc#kw-aes128
KwAes192	http://www.w3.org/2001/04/xmlenc#kw-aes192
KwAes256	http://www.w3.org/2001/04/xmlenc#kw-aes256
KwTripleDes	http://www.w3.org/2001/04/xmlenc#kw-tripledes
KwRsaOaep	http://www.w3.org/2001/04/xmlenc#rsa-oaep-mgf1p
KwRsa15	http://www.w3.org/2001/04/xmlenc#rsa-1_5
PSha1	http://docs.oasis-open.org/ws-sx/ws-secureconversation/200512/dk/p_sha1
PSha1L128	http://docs.oasis-open.org/ws-sx/ws-secureconversation/200512/dk/p_sha1
PSha1L192	http://docs.oasis-open.org/ws-sx/ws-secureconversation/200512/dk/p_sha1
PSha1L256	http://docs.oasis-open.org/ws-sx/ws-secureconversation/200512/dk/p_sha1
XPath	http://www.w3.org/TR/1999/REC-xpath-19991116
XPath20	http://www.w3.org/2002/06/xmldsig-filter2
C14n	http://www.w3.org/2001/10/xml-c14n#
ExC14n	http://www.w3.org/2001/10/xml-exc-c14n#
SNT	http://www.w3.org/TR/soap12-n11n
STRT10	http://docs.oasis-open.org/wss/2004/xx/oasis-2004xx-wss-soap-message-security-1.0#STR-Transform
AbsXPath	http://docs.oasis-open.org/...TBD.../AbsXPath

1623

1624 The tables below show all the base algorithm suites defined by this specification. This table defines
 1625 values for properties which are common for all suites:

Property	Algorithm / Value
[Sym Sig]	HmacSha1
[Asym Sig]	RsaSha1
[Comp Key]	PSha1
[Max SKL]	256
[Min AKL]	1024
[Max AKL]	4096

1626 This table defines additional properties whose values can be specified along with the default value for that
 1627 property.

Property	Algorithm / Value
[C14n Algorithm]	ExC14n
[Soap Norm]	None
[STR Trans]	None
[XPath]	None

1628 This table defines values for the remaining components for each algorithm suite.

Algorithm Suite	[Dig]	[Enc]	[Sym KW]	[Asym KW]	[Enc KD]	[Sig KD]	[Min SKL]
Basic256	Sha1	Aes256	KwAes256	KwRsaOaep	PSha1L256	PSha1L192	256
Basic192	Sha1	Aes192	KwAes192	KwRsaOaep	PSha1L192	PSha1L192	192
Basic128	Sha1	Aes128	KwAes128	KwRsaOaep	PSha1L128	PSha1L128	128
TripleDes	Sha1	TripleDes	KwTripleDes	KwRsaOaep	PSha1L192	PSha1L192	192
Basic256Rsa15	Sha1	Aes256	KwAes256	KwRsa15	PSha1L256	PSha1L192	256
Basic192Rsa15	Sha1	Aes192	KwAes192	KwRsa15	PSha1L192	PSha1L192	192
Basic128Rsa15	Sha1	Aes128	KwAes128	KwRsa15	PSha1L128	PSha1L128	128
TripleDesRsa15	Sha1	TripleDes	KwTripleDes	KwRsa15	PSha1L192	PSha1L192	192
Basic256Sha256	Sha256	Aes256	KwAes256	KwRsaOaep	PSha1L256	PSha1L192	256
Basic192Sha256	Sha256	Aes192	KwAes192	KwRsaOaep	PSha1L192	PSha1L192	192
Basic128Sha256	Sha256	Aes128	KwAes128	KwRsaOaep	PSha1L128	PSha1L128	128
TripleDesSha256	Sha256	TripleDes	KwTripleDes	KwRsaOaep	PSha1L192	PSha1L192	192
Basic256Sha256Rsa15	Sha256	Aes256	KwAes256	KwRsa15	PSha1L256	PSha1L192	256
Basic192Sha256Rsa15	Sha256	Aes192	KwAes192	KwRsa15	PSha1L192	PSha1L192	192
Basic128Sha256Rsa15	Sha256	Aes128	KwAes128	KwRsa15	PSha1L128	PSha1L128	128
TripleDesSha256Rsa15	Sha256	TripleDes	KwTripleDes	KwRsa15	PSha1L192	PSha1L192	192

1629 6.2 [Timestamp] Property

1630 This boolean property specifies whether a `wsu:Timestamp` element is present in the `wsse:Security`
1631 header. If the value is 'true', the timestamp element MUST be present and MUST be integrity protected
1632 either by transport or message level security. If the value is 'false', the timestamp element MUST NOT be
1633 present. The default value for this property is 'false'.

1634 6.3 [Protection Order] Property

1635 This property indicates the order in which integrity and confidentiality are applied to the message, in
1636 cases where both integrity and confidentiality are required:

EncryptBeforeSigning	Signature MUST be computed over ciphertext. Encryption key and signing key MUST be derived from the same source key unless distinct keys are provided, see Section 7.5 on the AsymmetricBinding.
SignBeforeEncrypting	Signature MUST be computed over plaintext. The resulting signature SHOULD be encrypted. Supporting signatures MUST be over the plain text signature.

1637 The default value for this property is 'SignBeforeEncrypting'.

1638 6.4 [Signature Protection] Property

1639 This boolean property specifies whether the signature must be encrypted. If the value is 'true', the primary
1640 signature MUST be encrypted and any signature confirmation elements MUST also be encrypted. The
1641 primary signature element is not required to be encrypted if the value is 'true' when there is nothing else
1642 in the message that is encrypted. If the value is 'false', the primary signature MUST NOT be encrypted
1643 and any signature confirmation elements MUST NOT be encrypted. The default value for this property is
1644 'false'.

1645 6.5 [Token Protection] Property

1646 This boolean property specifies whether signatures must cover the token used to generate that signature.
1647 If the value is 'true', then each token used to generate a signature MUST be covered by that signature. If
1648 the value is 'false', then the token MUST NOT be covered by the signature. Note that in cases where
1649 derived keys are used the 'main' token, and NOT the derived key token, is covered by the signature. It is
1650 recommended that assertions that define values for this property apply to [Endpoint Policy Subject]. The
1651 default value for this property is 'false'.

1652 6.6 [Entire Header and Body Signatures] Property

1653 This boolean property specifies whether signature digests over the SOAP body and SOAP headers must
1654 only cover the entire body and entire header elements. If the value is 'true', then each digest over the
1655 SOAP body MUST be over the entire SOAP body element and not a descendant of that element. In
1656 addition each digest over a SOAP header MUST be over an actual header element and not a descendant
1657 of a header element. This restriction does not specifically apply to the wsse:Security header. However
1658 signature digests over child elements of the wsse:Security header MUST be over the entire child element
1659 and not a descendent of that element. If the value is 'false', then signature digests MAY be over a
1660 descendant of the SOAP Body or a descendant of a header element. Setting the value of this property to
1661 'true' mitigates against some possible re-writing attacks. It is recommended that assertions that define
1662 values for this property apply to [Endpoint Policy Subject]. The default value for this property is 'false'.

1663 6.7 [Security Header Layout] Property

1664 This property indicates which layout rules to apply when adding items to the security header. The
1665 following table shows which rules are defined by this specification.

Strict	Items are added to the security header following the numbered layout rules described below according to a general principle of 'declare before use'.
Lax	Items are added to the security header in any order that conforms to WSS: SOAP Message Security
LaxTimestampFirst	As Lax except that the first item in the security header MUST be a wsse:Timestamp. Note that the [Timestamp] property MUST also be set to 'true' in this case.
LaxTimestampLast	As Lax except that the last item in the security header MUST be a wsse:Timestamp. Note that the [Timestamp] property MUST also be set to 'true' in this case.

1666

1667 6.7.1 Strict Layout Rules for WSS 1.0

- 1668 1. Tokens that are included in the message MUST be declared before use. For example:
- 1669 a. A local signing token MUST occur before the signature that uses it.
- 1670 b. A local token serving as the source token for a derived key token MUST occur before that
- 1671 derived key token.

- 1672 c. A local encryption token MUST occur before the reference list that points to
1673 xenc:EncryptedData elements that use it.
- 1674 d. If the same token is used for both signing and encryption, then it should appear before
1675 the ds:Signature and xenc:ReferenceList elements in the security header that are
1676 generated using the token.
- 1677 2. Signed elements inside the security header MUST occur before the signature that signs them.
1678 For example:
- 1679 a. A timestamp MUST occur before the signature that signs it.
- 1680 b. A Username token (usually in encrypted form) MUST occur before the signature that
1681 signs it.
- 1682 c. A primary signature MUST occur before the supporting token signature that signs the
1683 primary signature's signature value element.
- 1684 3. When an element in a security header is encrypted, the resulting xenc:EncryptedData element
1685 has the same order requirements as the source plain text element, unless requirement 4
1686 indicates otherwise. For example, an encrypted primary signature MUST occur before any
1687 supporting token signature per 2.c above and an encrypted token has the same ordering
1688 requirements as the unencrypted token.

1689 If there are any encrypted elements in the message then a top level xenc:ReferenceList element or a top
1690 level xenc:EncryptedKey element which contains an xenc:ReferenceList element MUST be present in the
1691 security header. The xenc:ReferenceList or xenc:EncryptedKey MUST occur before any
1692 xenc:EncryptedData elements in the security header that are referenced from the reference list. Strict
1693 Layout Rules for WSS 1.1

- 1694 1. Tokens that are included in the message MUST be declared before use. For example:
- 1695 a. A local signing token MUST occur before the signature that uses it.
- 1696 b. A local token serving as the source token for a derived key token MUST occur before that
1697 derived key token.
- 1698 c. A local encryption token MUST occur before the reference list that points to
1699 xenc:EncryptedData elements that use it.
- 1700 d. If the same token is used for both signing and encryption, then it should appear before
1701 the ds:Signature and xenc:ReferenceList elements in the security header that are
1702 generated using the token.
- 1703 2. Signed elements inside the security header MUST occur before the signature that signs them.
1704 For example:
- 1705 a. A timestamp MUST occur before the signature that signs it.
- 1706 b. A Username token (usually in encrypted form) MUST occur before the signature that
1707 signs it.
- 1708 c. A primary signature MUST occur before the supporting token signature that signs the
1709 primary signature's signature value element.
- 1710 d. A wsse11:SignatureConfirmation element MUST occur before the signature that signs it.
- 1711 3. When an element in a security header is encrypted, the resulting xenc:EncryptedData element
1712 has the same order requirements as the source plain text element, unless requirement 4
1713 indicates otherwise. For example, an encrypted primary signature MUST occur before any
1714 supporting token signature per 2.c above and an encrypted token has the same ordering
1715 requirements as the unencrypted token.
- 1716 4. If there are any encrypted elements in the message then a top level xenc:ReferenceList element
1717 MUST be present in the security header. The xenc:ReferenceList MUST occur before any
1718 xenc:EncryptedData elements in the security header that are referenced from the reference list.
1719 However, the xenc:ReferenceList is not required to appear before independently encrypted
1720 tokens such as the xenc:EncryptedKey token as defined in WSS.

- 1721
1722
5. An xenc:EncryptedKey element without an internal reference list [[WSS: SOAP Message Security 1.1](#)] MUST obey rule 1 above.

1723 7 Security Binding Assertions

1724 The appropriate representation of the different facets of security mechanisms requires distilling the
1725 common primitives (to enable reuse) and then combining the primitive elements into patterns. The policy
1726 scope of assertions defined in this section is the policy scope of their containing element.

1727 7.1 AlgorithmSuite Assertion

1728 This assertion indicates a requirement for an algorithm suite as defined under the [Algorithm Suite]
1729 property described in Section 6.1. The scope of this assertion is defined by its containing assertion.

1730 Syntax

```
1731 <sp:AlgorithmSuite xmlns:sp="..." ... >  
1732   <wsp:Policy xmlns:wsp="...">  
1733     (<sp:Basic256 ... /> |  
1734     <sp:Basic192 ... /> |  
1735     <sp:Basic128 ... /> |  
1736     <sp:TripleDes ... /> |  
1737     <sp:Basic256Rsa15 ... /> |  
1738     <sp:Basic192Rsa15 ... /> |  
1739     <sp:Basic128Rsa15 ... /> |  
1740     <sp:TripleDesRsa15 ... /> |  
1741     <sp:Basic256Sha256 ... /> |  
1742     <sp:Basic192Sha256 ... /> |  
1743     <sp:Basic128Sha256 ... /> |  
1744     <sp:TripleDesSha256 ... /> |  
1745     <sp:Basic256Sha256Rsa15 ... /> |  
1746     <sp:Basic192Sha256Rsa15 ... /> |  
1747     <sp:Basic128Sha256Rsa15 ... /> |  
1748     <sp:TripleDesSha256Rsa15 ... /> |  
1749     ...)  
1750     <sp:InclusiveC14N ... /> ?  
1751     <sp:SOAPNormalization10 ... /> ?  
1752     <sp:STRTransform10 ... /> ?  
1753     (<sp:XPath10 ... /> |  
1754     <sp:XPathFilter20 ... /> |  
1755     <sp:AbsXPath ... /> |  
1756     ...)?  
1757     ...  
1758   </wsp:Policy>  
1759   ...  
1760 </sp:AlgorithmSuite>
```

1761
1762 The following describes the attributes and elements listed in the schema outlined above:

1763 /sp:AlgorithmSuite

1764 This identifies an AlgorithmSuite assertion.

1765 /sp:AlgorithmSuite/wsp:Policy

1766 This required element contains one or more policy assertions that indicate the specific algorithm
1767 suite to use.

1768 /sp:AlgorithmSuite/wsp:Policy/sp:Basic256

1769 This optional element is a policy assertion that indicates that the [Algorithm Suite] property is set
1770 to 'Basic256'.

1771 /sp:AlgorithmSuite/wsp:Policy/sp:Basic192

1772 This optional element is a policy assertion that indicates that the [Algorithm Suite] property is set
1773 to 'Basic192'.

1774 /sp:AlgorithmSuite/wsp:Policy/sp:Basic128

1775 This optional element is a policy assertion that indicates that the [Algorithm Suite] property is set
1776 to 'Basic128'.

1777 /sp:AlgorithmSuite/wsp:Policy/sp:TripleDes

1778 This optional element is a policy assertion that indicates that the [Algorithm Suite] property is set
1779 to 'TripleDes'.

1780 /sp:AlgorithmSuite/wsp:Policy/sp:Basic256Rsa15

1781 This optional element is a policy assertion that indicates that the [Algorithm Suite] property is set
1782 to 'Basic256Rsa15'.

1783 /sp:AlgorithmSuite/wsp:Policy/sp:Basic192Rsa15

1784 This optional element is a policy assertion that indicates that the [Algorithm Suite] property is set
1785 to 'Basic192Rsa15'.

1786 /sp:AlgorithmSuite/wsp:Policy/sp:Basic128Rsa15

1787 This optional element is a policy assertion that indicates that the [Algorithm Suite] property is set
1788 to 'Basic128Rsa15'.

1789 /sp:AlgorithmSuite/wsp:Policy/sp:TripleDesRsa15

1790 This optional element is a policy assertion that indicates that the [Algorithm Suite] property is set
1791 to 'TripleDesRsa15'.

1792 /sp:AlgorithmSuite/wsp:Policy/sp:Basic256Sha256

1793 This optional element is a policy assertion that indicates that the [Algorithm Suite] property is set
1794 to 'Basic256Sha256'.

1795 /sp:AlgorithmSuite/wsp:Policy/sp:Basic192Sha256

1796 This optional element is a policy assertion that indicates that the [Algorithm Suite] property is set
1797 to 'Basic192Sha256'.

1798 /sp:AlgorithmSuite/wsp:Policy/sp:Basic128Sha256

1799 This optional element is a policy assertion that indicates that the [Algorithm Suite] property is set
1800 to 'Basic128Sha256'.

1801 /sp:AlgorithmSuite/wsp:Policy/sp:TripleDesSha256

1802 This optional element is a policy assertion that indicates that the [Algorithm Suite] property is set
1803 to 'TripleDesSha256'.

1804 /sp:AlgorithmSuite/wsp:Policy/sp:Basic256Sha256Rsa15

1805 This optional element is a policy assertion that indicates that the [Algorithm Suite] property is set
1806 to 'Basic256Sha256Rsa15'.

1807 /sp:AlgorithmSuite/wsp:Policy/sp:Basic192Sha256Rsa15

1808 This optional element is a policy assertion that indicates that the [Algorithm Suite] property is set
1809 to 'Basic192Sha256Rsa15'.

1810 /sp:AlgorithmSuite/wsp:Policy/sp:Basic128Sha256Rsa15

1811 This optional element is a policy assertion that indicates that the [Algorithm Suite] property is set
1812 to 'Basic128Sha256Rsa15'.

1813 /sp:AlgorithmSuite/wsp:Policy/sp:TripleDesSha256Rsa15

1814 This optional element is a policy assertion that indicates that the [Algorithm Suite] property is set
1815 to 'TripleDesSha256Rsa15'.

1816 /sp:AlgorithmSuite/wsp:Policy/sp:InclusiveC14N

1817 This optional element is a policy assertion that indicates that the [C14N] property of an algorithm
1818 suite is set to 'C14N'. Note: as indicated in Section 6.1 the default value of the [C14N] property is
1819 'ExcC14N'.

1820 /sp:AlgorithmSuite/wsp:Policy/sp:SoapNormalization10

1821 This optional element is a policy assertion that indicates that the [SOAP Norm] property is set to
1822 'SNT'.

1823 /sp:AlgorithmSuite/wsp:Policy/sp:STRTransform10

1824 This optional element is a policy assertion that indicates that the [STR Transform] property is set
1825 to 'STRT10'.

1826 /sp:AlgorithmSuite/wsp:Policy/sp:XPath10

1827 This optional element is a policy assertion that indicates that the [XPath] property is set to 'XPath'.

1828 /sp:AlgorithmSuite/wsp:Policy/sp:XPathFilter20

1829 This optional element is a policy assertion that indicates that the [XPath] property is set to
1830 'XPath20'.

1831 /sp:AlgorithmSuite/wsp:Policy/sp:AbsXPath

1832 This optional element is a policy assertion that indicates that the [XPath] property is set to
1833 'AbsXPath' (see [AbsoluteLocationPath](#) in [XPATH]).

1834

1835 7.2 Layout Assertion

1836 This assertion indicates a requirement for a particular security header layout as defined under the
1837 [Security Header Layout] property described in Section 6.7. The scope of this assertion is defined by its
1838 containing assertion.

1839 Syntax

```
1840 <sp:Layout xmlns:sp="..." ... >  
1841   <wsp:Policy xmlns:wsp="...">  
1842     <sp:Strict ... /> |  
1843     <sp:Lax ... /> |  
1844     <sp:LaxTsFirst ... /> |  
1845     <sp:LaxTsLast ... /> |  
1846     ...  
1847   </wsp:Policy>  
1848   ...  
1849 </sp:Layout>
```

1850

1851 The following describes the attributes and elements listed in the schema outlined above:

1852 /sp:Layout

1853 This identifies a Layout assertion.

1854 /sp:Layout/wsp:Policy

1855 This required element contains one or more policy assertions that indicate the specific security
1856 header layout to use.

1857 /sp:Layout/wsp:Policy/sp:Strict

1858 This optional element is a policy assertion that indicates that the [Security Header Layout]
 1859 property is set to 'Strict'.

1860 /sp:Layout/wsp:Policy/sp:Lax

1861 This optional element is a policy assertion that indicates that the [Security Header Layout]
 1862 property is set to 'Lax'.

1863 /sp:Layout/wsp:Policy/sp:LaxTsFirst

1864 This optional element is a policy assertion that indicates that the [Security Header Layout]
 1865 property is set to 'LaxTimestampFirst'. Note that the [Timestamp] property MUST also be set to
 1866 'true' by the presence of an sp:IncludeTimestamp assertion.

1867 /sp:Layout/wsp:Policy/sp:LaxTsLast

1868 This optional element is a policy assertion that indicates that the [Security Header Layout]
 1869 property is set to 'LaxTimestampLast'. Note that the [Timestamp] property MUST also be set to
 1870 'true' by the presence of an sp:IncludeTimestamp assertion.

1871 7.3 TransportBinding Assertion

1872 The TransportBinding assertion is used in scenarios in which message protection and security correlation
 1873 is provided by means other than [WSS: SOAP Message Security](#), for example by a secure transport like
 1874 HTTPS. Specifically, this assertion indicates that the message is protected using the means provided by
 1875 the transport. This binding has one binding specific token property; [Transport Token]. This assertion
 1876 MUST apply to [Endpoint Policy Subject].

1877 Syntax

```

1878 <sp:TransportBinding xmlns:sp="..." ... >
1879   <wsp:Policy xmlns:wsp="...">
1880     <sp:TransportToken ... >
1881       <wsp:Policy> ... </wsp:Policy>
1882       ...
1883     </sp:TransportToken>
1884     <sp:AlgorithmSuite ... > ... </sp:AlgorithmSuite>
1885     <sp:Layout ... > ... </sp:Layout> ?
1886     <sp:IncludeTimestamp ... /> ?
1887     ...
1888   </wsp:Policy>
1889   ...
1890 </sp:TransportBinding>
  
```

1891
 1892 The following describes the attributes and elements listed in the schema outlined above:

1893 /sp:TransportBinding

1894 This identifies a TransportBinding assertion.

1895 /sp:TransportBinding/wsp:Policy

1896 This indicates a nested `wsp:Policy` element that defines the behavior of the TransportBinding
 1897 assertion.

1898 /sp:TransportBinding/wsp:Policy/sp:TransportToken

1899 This required element is a policy assertion that indicates a requirement for a Transport Token.
 1900 The specified token populates the [Transport Token] property and indicates how the transport is
 1901 secured.

1902 /sp:TransportBinding/wsp:Policy/sp:TransportToken/wsp:Policy

1903 This indicates a nested policy that identifies the type of Transport Token to use.

- 1904 /sp:TransportBinding/wsp:Policy/sp:AlgorithmSuite
 1905 This required element is a policy assertion that indicates a value that populates the [Algorithm
 1906 Suite] property. See Section 6.1 for more details.
- 1907 /sp:TransportBinding/wsp:Policy/sp:Layout
 1908 This optional element is a policy assertion that indicates a value that populates the [Security
 1909 Header Layout] property. See Section 6.7 for more details.
- 1910 /sp:TransportBinding/wsp:Policy/sp:IncludeTimestamp
 1911 This optional element is a policy assertion that indicates that the [Timestamp] property is set to
 1912 'true'.

1913 7.4 SymmetricBinding Assertion

1914 The SymmetricBinding assertion is used in scenarios in which message protection is provided by means
 1915 defined in [WSS: SOAP Message Security](#). This binding has two binding specific token properties;
 1916 [Encryption Token] and [Signature Token]. If the message pattern requires multiple messages, this
 1917 binding defines that the [Encryption Token] used from initiator to recipient is also used from recipient to
 1918 initiator. Similarly, the [Signature Token] used from initiator to recipient is also use from recipient to
 1919 initiator. If a sp:ProtectionToken assertion is specified, the specified token populates both token
 1920 properties and is used as the basis for both encryption and signature in both directions. This assertion
 1921 SHOULD apply to [Endpoint Policy Subject]. This assertion MAY apply to [Operation Policy Subject].

1922 Syntax

```

1923 <sp:SymmetricBinding xmlns:sp="..." ... >
1924   <wsp:Policy xmlns:wsp="...">
1925     (
1926       <sp:EncryptionToken ... >
1927         <wsp:Policy> ... </wsp:Policy>
1928       </sp:EncryptionToken>
1929       <sp:SignatureToken ... >
1930         <wsp:Policy> ... </wsp:Policy>
1931       </sp:SignatureToken>
1932     ) | (
1933       <sp:ProtectionToken ... >
1934         <wsp:Policy> ... </wsp:Policy>
1935       </sp:ProtectionToken>
1936     )
1937     <sp:AlgorithmSuite ... > ... </sp:AlgorithmSuite>
1938     <sp:Layout ... > ... </sp:Layout> ?
1939     <sp:IncludeTimestamp ... /> ?
1940     <sp:EncryptBeforeSigning ... /> ?
1941     <sp:EncryptSignature ... /> ?
1942     <sp:ProtectTokens ... /> ?
1943     <sp:OnlySignEntireHeadersAndBody ... /> ?
1944     ...
1945   </wsp:Policy>
1946   ...
1947 </sp:SymmetricBinding>
  
```

1948
 1949 The following describes the attributes and elements listed in the schema outlined above:

- 1950 /sp:SymmetricBinding
 1951 This identifies a SymmetricBinding assertion.
- 1952 /sp:SymmetricBinding/wsp:Policy
 1953 This indicates a nested wsp:Policy element that defines the behavior of the SymmetricBinding
 1954 assertion.

- 1955 /sp:SymmetricBinding/wsp:Policy/sp:EncryptionToken
- 1956 This optional element is a policy assertion that indicates a requirement for an Encryption Token.
1957 The specified token populates the [Encryption Token] property and is used for encryption. It is an
1958 error for both an sp:EncryptionToken and an sp:ProtectionToken assertion to be specified.
- 1959 /sp:SymmetricBinding/wsp:Policy/sp:EncryptionToken/wsp:Policy
- 1960 The policy contained here MUST identify exactly one token to use for encryption.
- 1961 /sp:SymmetricBinding/wsp:Policy/sp:SignatureToken
- 1962 This optional element is a policy assertion that indicates a requirement for a Signature Token.
1963 The specified token populates the [Signature Token] property and is used for the message
1964 signature. It is an error for both an sp:SignatureToken and an sp:ProtectionToken assertion to be
1965 specified.
- 1966 /sp:SymmetricBinding/wsp:Policy/sp:SignatureToken/wsp:Policy
- 1967 The policy contained here MUST identify exactly one token to use for signatures.
- 1968 /sp:SymmetricBinding/wsp:Policy/sp:ProtectionToken
- 1969 This optional element is a policy assertion that indicates a requirement for a Protection Token.
1970 The specified token populates the [Encryption Token] and [Signature Token properties] and is
1971 used for the message signature and for encryption. It is an error for both an sp:ProtectionToken
1972 assertion and either an sp:EncryptionToken assertion or an sp:SignatureToken assertion to be
1973 specified.
- 1974 /sp:SymmetricBinding/wsp:Policy/sp:ProtectionToken/wsp:Policy
- 1975 The policy contained here MUST identify exactly one token to use for protection.
- 1976 /sp:SymmetricBinding/wsp:Policy/sp:AlgorithmSuite
- 1977 This required element is a policy assertion that indicates a value that populates the [Algorithm
1978 Suite] property. See Section 6.1 for more details.
- 1979 /sp:SymmetricBinding/wsp:Policy/sp:Layout
- 1980 This optional element is a policy assertion that indicates a value that populates the [Security
1981 Header Layout] property. See Section 6.7 for more details.
- 1982 /sp:SymmetricBinding/wsp:Policy/sp:IncludeTimestamp
- 1983 This optional element is a policy assertion that indicates that the [Timestamp] property is set to
1984 'true'.
- 1985 /sp:SymmetricBinding/wsp:Policy/sp:EncryptBeforeSigning
- 1986 This optional element is a policy assertion that indicates that the [Protection Order] property is set
1987 to 'EncryptBeforeSigning'.
- 1988 /sp:SymmetricBinding/wsp:Policy/sp:EncryptSignature
- 1989 This optional element is a policy assertion that indicates that the [Signature Protection] property is
1990 set to 'true'.
- 1991 /sp:SymmetricBinding/wsp:Policy/sp:ProtectTokens
- 1992 This optional element is a policy assertion that indicates that the [Token Protection] property is
1993 set to 'true'.
- 1994 /sp:SymmetricBinding/wsp:Policy/sp:OnlySignEntireHeadersAndBody
- 1995 This optional element is a policy assertion that indicates that the [Entire Header And Body
1996 Signatures] property is set to 'true'.

1997 **7.5 AsymmetricBinding Assertion**

1998 The AsymmetricBinding assertion is used in scenarios in which message protection is provided by means
1999 defined in WSS: SOAP Message Security using asymmetric key (Public Key) technology. Commonly
2000 used asymmetric algorithms, such as RSA, allow the same key pair to be used for both encryption and
2001 signature. However it is also common practice to use distinct keys for encryption and signature, because
2002 of their different lifecycles.

2003
2004 This binding enables either of these practices by means of four binding specific token properties: [Initiator
2005 Signature Token], [Initiator Encryption Token], [Recipient Signature Token] and [Recipient Encryption
2006 Token].

2007
2008 If the same key pair is used for signature and encryption, then [Initiator Signature Token] and [Initiator
2009 Encryption Token] will both refer to the same token. Likewise [Recipient Signature Token] and [Recipient
2010 Encryption Token] will both refer to the same token.

2011
2012 If distinct key pairs are used for signature and encryption then [Initiator Signature Token] and [Initiator
2013 Encryption Token] will refer to different tokens. Likewise [Recipient Signature Token] and [Recipient
2014 Encryption Token] will refer to different tokens.

2015
2016 If the message pattern requires multiple messages, the [Initiator Signature Token] is used for the
2017 message signature from initiator to the recipient. The [Initiator Encryption Token] is used for the response
2018 message encryption from recipient to the initiator. The [Recipient Signature Token] is used for the
2019 response message signature from recipient to the initiator. The [Recipient Encryption Token] is used for
2020 the message encryption from initiator to the recipient. Note that in each case, the token is associated with
2021 the party (initiator or recipient) who knows the secret.

2022 This assertion SHOULD apply to [Endpoint Policy Subject]. This assertion MAY apply to [Operation Policy
2023 Subject].

2024 **Syntax**

```
2025 <sp:AsymmetricBinding xmlns:sp="..." ... >  
2026   <wsp:Policy xmlns:wsp="...">  
2027     (  
2028       <sp:InitiatorToken>  
2029         <wsp:Policy> ... </wsp:Policy>  
2030       </sp:InitiatorToken>  
2031     ) | (  
2032       <sp:InitiatorSignatureToken>  
2033         <wsp:Policy> ... </wsp:Policy>  
2034       </sp:InitiatorSignatureToken>  
2035       <sp:InitiatorEncryptionToken>  
2036         <wsp:Policy> ... </wsp:Policy>  
2037       </sp:InitiatorEncryptionToken>  
2038     )  
2039     (  
2040       <sp:RecipientToken>  
2041         <wsp:Policy> ... </wsp:Policy>  
2042       </sp:RecipientToken>  
2043     ) | (  
2044       <sp:RecipientSignatureToken>  
2045         <wsp:Policy> ... </wsp:Policy>  
2046       </sp:RecipientSignatureToken>  
2047       <sp:RecipientEncryptionToken>  
2048         <wsp:Policy> ... </wsp:Policy>
```

```

2049     </sp:RecipientEncryptionToken>
2050   )
2051   <sp:AlgorithmSuite ... > ... </sp:AlgorithmSuite>
2052   <sp:Layout ... > ... </sp:Layout> ?
2053   <sp:IncludeTimestamp ... /> ?
2054   <sp:EncryptBeforeSigning ... /> ?
2055   <sp:EncryptSignature ... /> ?
2056   <sp:ProtectTokens ... /> ?
2057   <sp:OnlySignEntireHeadersAndBody ... /> ?
2058   ...
2059 </wsp:Policy>
2060   ...
2061 </sp:AsymmetricBinding>

```

2062

2063 The following describes the attributes and elements listed in the schema outlined above:

2064 /sp:AsymmetricBinding

2065 This identifies a AsymmetricBinding assertion.

2066 /sp:AsymmetricBinding/wsp:Policy

2067 This indicates a nested wsp:Policy element that defines the behavior of the AsymmetricBinding
2068 assertion.

2069 /sp:AsymmetricBinding/wsp:Policy/sp:InitiatorToken

2070 This optional element is a policy assertion that indicates a requirement for an Initiator Token. The
2071 specified token populates the [Initiator Signature Token] and [Initiator Encryption Token]
2072 properties and is used for the message signature from initiator to recipient, and encryption from
2073 recipient to initiator.

2074 /sp:AsymmetricBinding/wsp:Policy/sp:InitiatorToken/wsp:Policy

2075 The policy contained here MUST identify one or more token assertions.

2076 /sp:AsymmetricBinding/wsp:Policy/sp:InitiatorToken/wsp:Policy/sp:InitiatorSignatureToken

2077 This optional element is a policy assertion that indicates a requirement for an Initiator Signature
2078 Token. The specified token populates the [Initiator Signature Token] property and is used for the
2079 message signature from initiator to recipient.

2080 /sp:AsymmetricBinding/wsp:Policy/sp:InitiatorToken/wsp:Policy/sp:InitiatorSignatureToken/wsp:Policy

2081 The policy contained here MUST identify one or more token assertions.

2082 /sp:AsymmetricBinding/wsp:Policy/sp:InitiatorToken/wsp:Policy/sp:InitiatorEncryptionToken

2083 This optional element is a policy assertion that indicates a requirement for an Initiator Encryption
2084 Token. The specified token populates the [Initiator Encryption Token] property and is used for the
2085 message encryption from recipient to initiator.

2086 /sp:AsymmetricBinding/wsp:Policy/sp:InitiatorToken/wsp:Policy/sp:InitiatorEncryptionToken/wsp:Policy

2087 The policy contained here MUST identify one or more token assertions.

2088 /sp:AsymmetricBinding/wsp:Policy/sp:RecipientToken

2089 This optional element is a policy assertion that indicates a requirement for a Recipient Token. The
2090 specified token populates the [Recipient Signature Token] and [Recipient Encryption Token]
2091 property and is used for encryption from initiator to recipient, and for the message signature from
2092 recipient to initiator.

2093 /sp:AsymmetricBinding/wsp:Policy/sp:RecipientToken/wsp:Policy

2094 The policy contained here MUST identify one or more token assertions.

2095 /sp:AsymmetricBinding/wsp:Policy/sp:RecipientToken/wsp:Policy/sp:RecipientSignatureToken

2096 This optional element is a policy assertion that indicates a requirement for a Recipient Signature
2097 Token. The specified token populates the [Recipient Signature Token] property and is used for
2098 the message signature from Recipient to recipient.

2099 /sp:AsymmetricBinding/wsp:Policy/sp:RecipientToken/wsp:Policy/sp:RecipientSignatureToken/wsp:Policy
2100 The policy contained here MUST identify one or more token assertions.

2101 /sp:AsymmetricBinding/wsp:Policy/sp:RecipientToken/wsp:Policy/sp:RecipientEncryptionToken
2102 This optional element is a policy assertion that indicates a requirement for a Recipient Encryption
2103 Token. The specified token populates the [Recipient Encryption Token] property and is used for
2104 the message encryption from recipient to Recipient.

2105 /sp:AsymmetricBinding/wsp:Policy/sp:RecipientToken/wsp:Policy/sp:RecipientEncryptionToken/wsp:Policy
2106 The policy contained here MUST identify one or more token assertions.

2107 /sp:AsymmetricBinding/wsp:Policy/sp:AlgorithmSuite
2108 This required element is a policy assertion that indicates a value that populates the [Algorithm
2109 Suite] property. See Section 6.1 for more details.

2110 /sp:AsymmetricBinding/wsp:Policy/sp:Layout
2111 This optional element is a policy assertion that indicates a value that populates the [Security
2112 Header Layout] property. See Section 6.7 for more details.

2113 /sp:AsymmetricBinding/wsp:Policy/sp:IncludeTimestamp
2114 This optional element is a policy assertion that indicates that the [Timestamp] property is set to
2115 'true'.

2116 /sp:AsymmetricBinding/wsp:Policy/sp:EncryptBeforeSigning
2117 This optional element is a policy assertion that indicates that the [Protection Order] property is set
2118 to 'EncryptBeforeSigning'.

2119 /sp:AsymmetricBinding/wsp:Policy/sp:EncryptSignature
2120 This optional element is a policy assertion that indicates that the [Signature Protection] property is
2121 set to 'true'.

2122 /sp:AsymmetricBinding/wsp:Policy/sp:ProtectTokens
2123 This optional element is a policy assertion that indicates that the [Token Protection] property is
2124 set to 'true'.

2125 /sp:AsymmetricBinding/wsp:Policy/sp:OnlySignEntireHeadersAndBody
2126 This optional element is a policy assertion that indicates that the [Entire Header And Body
2127 Signatures] property is set to 'true'.

2128

8 Supporting Tokens

2129 Security Bindings use tokens to secure the message exchange. The Security Binding will require one to
2130 create a signature using the token identified in the Security Binding policy. This signature will here-to-fore
2131 be referred to as the “message signature”. In case of Transport Binding the message is signed outside of
2132 the message XML by the underlying transport protocol and the signature itself is not part of the message.
2133 Additional tokens may be specified to augment the claims provided by the token associated with the
2134 “message signature” provided by the Security Binding. This section defines seven properties related to
2135 supporting token requirements which may be referenced by a Security Binding: [Supporting Tokens],
2136 [Signed Supporting Tokens], [Endorsing Supporting Tokens], [Signed Endorsing Supporting Tokens],
2137 [Signed Encrypted Supporting Tokens], [Endorsing Encrypted Supporting Tokens] and [Signed Endorsing
2138 Encrypted Supporting Tokens]. Seven assertions are defined to populate those properties:
2139 SupportingTokens, SignedSupportingTokens, EndorsingSupportingTokens,
2140 SignedEndorsingSupportingTokens, SignedEncryptedSupportingTokens,
2141 EndorsingEncryptedSupportingTokens and SignedEndorsingEncryptedSupportingTokens. These
2142 assertions SHOULD apply to [Endpoint Policy Subject]. These assertions MAY apply to [Message Policy
2143 Subject] or [Operation Policy Subject].

2144

2145 Supporting tokens may be specified at a different scope than the binding assertion which provides
2146 support for securing the exchange. For instance, a binding is specified at the scope of an endpoint, while
2147 the supporting tokens might be defined at the scope of a message. When assertions that populate this
2148 property are defined in overlapping scopes, the sender should merge the requirements by including all
2149 tokens from the outer scope and any additional tokens for a specific message from the inner scope.

2150

2151 In cases where multiple tokens are specified that sign and/or encrypt overlapping message parts, all the
2152 tokens should sign and encrypt the various message parts. In such cases ordering of elements (tokens,
2153 signatures, reference lists etc.) in the security header would be used to determine which order signature
2154 and encryptions occurred in.

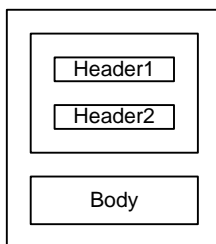
2155

2156 Policy authors need to ensure that the tokens they specify as supporting tokens can satisfy any additional
2157 constraints defined by the supporting token assertion. For example, if the supporting token assertion
2158 specifies message parts that need to be encrypted, the specified tokens need to be capable of
2159 encryption.

2160

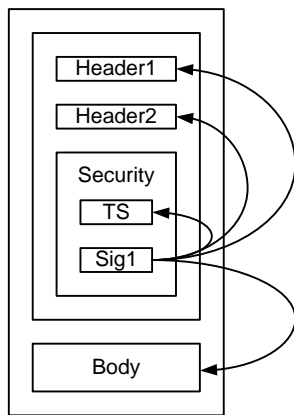
2161 To illustrate the different ways that supporting tokens may be bound to the message, let’s consider a
2162 message with three components: Header1, Header2, and Body.

2163

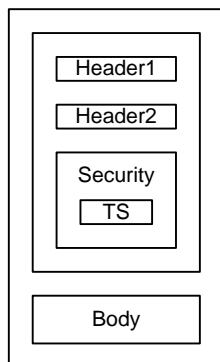


2164

2165 Even before any supporting tokens are added, each binding requires that the message is signed using a
2166 token satisfying the required usage for that binding, and that the signature (Sig1) covers important parts
2167 of the message including the message timestamp (TS) facilitate replay detection. The signature is then
2168 included as part of the Security header as illustrated below:
2169



2170
2171 Note: if required, the initiator may also include in the Security header the token used as the basis for the
2172 message signature (Sig1), not shown in the diagram.
2173 If transport security is used, only the message timestamp (TS) is included in the Security header as
2174 illustrated below. The “message signature” is provided by the underlying transport protocol and is not part
2175 of the message XML.



2176

2177 8.1 SupportingTokens Assertion

2178 Supporting tokens are included in the security header and may optionally include additional message
2179 parts to sign and/or encrypt. The supporting tokens can be added to any SOAP message and do not
2180 require any protection (signature or encryption) to be applied to the message before they are added.
2181 More specifically there is no requirement on “message signature” being present before the supporting
2182 tokens are added. However it is RECOMMENDED to employ underlying protection mechanism to ensure
2183 that the supporting tokens are cryptographically bound to the message during the transmission.

2184 Syntax

```
2185 <sp:SupportingTokens xmlns:sp="..." ... >  
2186   <wsp:Policy xmlns:wsp="...">  
2187     [Token Assertion]+  
2188     <sp:AlgorithmSuite ... > ... </sp:AlgorithmSuite> ?  
2189     (  
2190       <sp:SignedParts ... > ... </sp:SignedParts> |  
2191       <sp:SignedElements ... > ... </sp:SignedElements> |
```

2192
2193
2194
2195
2196
2197
2198

```
<sp:EncryptedParts ... > ... </sp:EncryptedParts> |  
<sp:EncryptedElements ... > ... </sp:EncryptedElements> |  
  ) *  
  ...  
</wsp:Policy>  
  ...  
</sp:SupportingTokens>
```

2199

2200 The following describes the attributes and elements listed in the schema outlined above:

2201 /sp:SupportingTokens

2202 This identifies a SupportingTokens assertion. The specified tokens populate the [Supporting
2203 Tokens] property.

2204 /sp:SupportingTokens/wsp:Policy

2205 This describes additional requirements for satisfying the SupportingTokens assertion.

2206 /sp:SupportingTokens/wsp:Policy/[Token Assertion]

2207 The policy MUST identify one or more token assertions.

2208 /sp:SupportingTokens/wsp:Policy/sp:AlgorithmSuite

2209 This optional element is a policy assertion that follows the schema outlined in Section 7.1 and
2210 describes the algorithms to use for cryptographic operations performed with the tokens identified
2211 by this policy assertion.

2212 /sp:SupportingTokens/wsp:Policy/sp:SignedParts

2213 This optional element is a policy assertion that follows the schema outlined in Section 4.1.1 and
2214 describes additional message parts that MUST be included in the signature generated with the
2215 token identified by this policy assertion.

2216 /sp:SupportingTokens/wsp:Policy/sp:SignedElements

2217 This optional element is a policy assertion that follows the schema outlined in Section 4.1.2 and
2218 describes additional message elements that MUST be included in the signature generated with
2219 the token identified by this policy assertion.

2220 /sp:SupportingTokens/wsp:Policy/sp:EncryptedParts

2221 This optional element is a policy assertion that follows the schema outlined in Section 4.2.1 and
2222 describes additional message parts that MUST be encrypted using the token identified by this
2223 policy assertion.

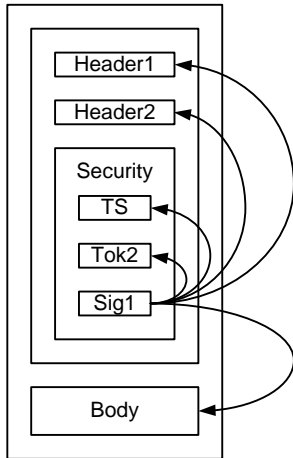
2224 /sp:SupportingTokens/wsp:Policy/sp:EncryptedElements

2225 This optional element is a policy assertion that follows the schema outlined in Section 4.2.2 and
2226 describes additional message elements that MUST be encrypted using the token identified by this
2227 policy assertion.

2228 **8.2 SignedSupportingTokens Assertion**

2229 Signed tokens are included in the “message signature” as defined above and may optionally include
2230 additional message parts to sign and/or encrypt. The diagram below illustrates how the attached token
2231 (Tok2) is signed by the message signature (Sig1):

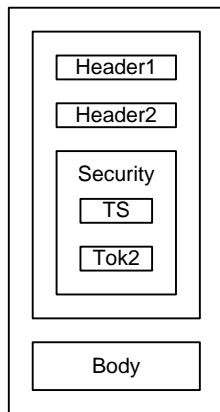
2232



2233

2234 If transport security is used, the token (Tok2) is included in the Security header as illustrated below:

2235



2236

2237 **Syntax**

```

2238 <sp:SignedSupportingTokens xmlns:sp="..." ... >
2239   <wsp:Policy xmlns:wsp="...">
2240     [Token Assertion]+
2241     <sp:AlgorithmSuite ... > ... </sp:AlgorithmSuite> ?
2242     (
2243       <sp:SignedParts ... > ... </sp:SignedParts> |
2244       <sp:SignedElements ... > ... </sp:SignedElements> |
2245       <sp:EncryptedParts ... > ... </sp:EncryptedParts> |
2246       <sp:EncryptedElements ... > ... </sp:EncryptedElements>
2247     ) *
2248     ...
2249   </wsp:Policy>
2250   ...
2251 </sp:SignedSupportingTokens>

```

2252

2253 The following describes the attributes and elements listed in the schema outlined above:

2254 /sp:SignedSupportingTokens

2255 This identifies a SignedSupportingTokens assertion. The specified tokens populate the [Signed
2256 Supporting Tokens] property.

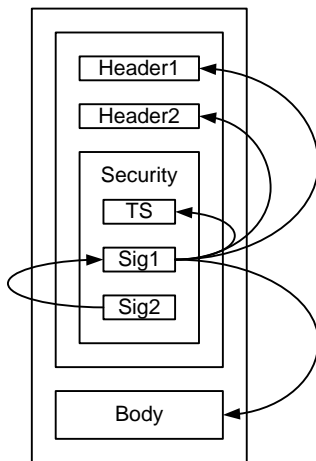
2257 /sp:SignedSupportingTokens/wsp:Policy

2258 This describes additional requirements for satisfying the SignedSupportingTokens assertion.

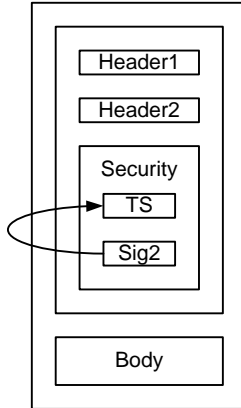
- 2259 /sp:SignedSupportingTokens/wsp:Policy/[Token Assertion]
 2260 The policy MUST identify one or more token assertions.
- 2261 /sp:SignedSupportingTokens/wsp:Policy/sp:AlgorithmSuite
 2262 This optional element is a policy assertion that follows the schema outlined in Section 7.1 and
 2263 describes the algorithms to use for cryptographic operations performed with the tokens identified
 2264 by this policy assertion.
- 2265 /sp:SignedSupportingTokens/wsp:Policy/sp:SignedParts
 2266 This optional element is a policy assertion that follows the schema outlined in Section 4.1.1 and
 2267 describes additional message parts that MUST be included in the signature generated with the
 2268 token identified by this policy assertion.
- 2269 /sp:SignedSupportingTokens/wsp:Policy/sp:SignedElements
 2270 This optional element is a policy assertion that follows the schema outlined in Section 4.1.2 and
 2271 describes additional message elements that MUST be included in the signature generated with
 2272 the token identified by this policy assertion.
- 2273 /sp:SignedSupportingTokens/wsp:Policy/sp:EncryptedParts
 2274 This optional element is a policy assertion that follows the schema outlined in Section 4.2.1 and
 2275 describes additional message parts that MUST be encrypted using the token identified by this
 2276 policy assertion.
- 2277 /sp:SignedSupportingTokens/wsp:Policy/sp:EncryptedElements
 2278 This optional element is a policy assertion that follows the schema outlined in Section 4.2.2 and
 2279 describes additional message elements that MUST be encrypted using the token identified by this
 2280 policy assertion.

2281 **8.3 EndorsingSupportingTokens Assertion**

2282 Endorsing tokens sign the message signature, that is they sign the entire `ds:Signature` element
 2283 produced from the message signature and may optionally include additional message parts to sign and/or
 2284 encrypt. The diagram below illustrates how the endorsing signature (Sig2) signs the message signature
 2285 (Sig1):
 2286



2287
 2288 If transport security is used, the signature (Sig2) MUST cover the message timestamp as illustrated
 2289 below:
 2290



2291

2292 **Syntax**

2293
2294
2295
2296
2297
2298
2299
2300
2301
2302
2303
2304
2305
2306

```

<sp:EndorsingSupportingTokens xmlns:sp="..." ... >
  <wsp:Policy xmlns:wsp="...">
    [Token Assertion]+
    <sp:AlgorithmSuite ... > ... </sp:AlgorithmSuite> ?
    (
      <sp:SignedParts ... > ... </sp:SignedParts> |
      <sp:SignedElements ... > ... </sp:SignedElements> |
      <sp:EncryptedParts ... > ... </sp:EncryptedParts> |
      <sp:EncryptedElements ... > ... </sp:EncryptedElements>
    ) *
    ...
  </wsp:Policy>
  ...
</sp:EndorsingSupportingTokens>

```

2307

2308 The following describes the attributes and elements listed in the schema outlined above:

2309 /sp:EndorsingSupportingTokens

2310 This identifies an EndorsingSupportingTokens assertion. The specified tokens populate the
2311 [Endorsing Supporting Tokens] property.

2312 /sp:EndorsingSupportingTokens/wsp:Policy

2313 This describes additional requirements for satisfying the EndorsingSupportingTokens assertion.

2314 /sp:EndorsingSupportingTokens/wsp:Policy/[Token Assertion]

2315 The policy MUST identify one or more token assertions.

2316 /sp:EndorsingSupportingTokens/wsp:Policy/sp:AlgorithmSuite

2317 This optional element is a policy assertion that follows the schema outlined in Section 7.1 and
2318 describes the algorithms to use for cryptographic operations performed with the tokens identified
2319 by this policy assertion.

2320 /sp:EndorsingSupportingTokens/wsp:Policy/sp:SignedParts

2321 This optional element is a policy assertion that follows the schema outlined in Section 4.1.1 and
2322 describes additional message parts that MUST be included in the signature generated with the
2323 token identified by this policy assertion.

2324 /sp:EndorsingSupportingTokens/wsp:Policy/sp:SignedElements

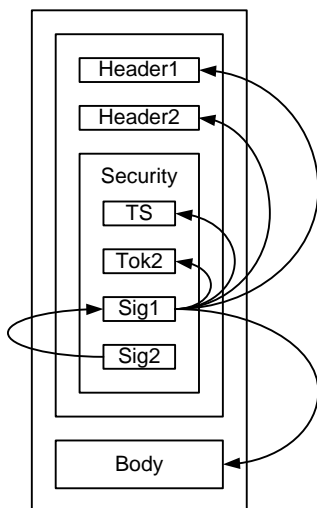
2325 This optional element is a policy assertion that follows the schema outlined in Section 4.1.2 and
2326 describes additional message elements that MUST be included in the signature generated with
2327 the token identified by this policy assertion.

2328 /sp:EndorsingSupportingTokens/wsp:Policy/sp:EncryptedParts
 2329 This optional element is a policy assertion that follows the schema outlined in Section 4.2.1 and
 2330 describes additional message parts that MUST be encrypted using the token identified by this
 2331 policy assertion.

2332 /sp:EndorsingSupportingTokens/wsp:Policy/sp:EncryptedElements
 2333 This optional element is a policy assertion that follows the schema outlined in Section 4.2.2 and
 2334 describes additional message elements that MUST be encrypted using the token identified by this
 2335 policy assertion.

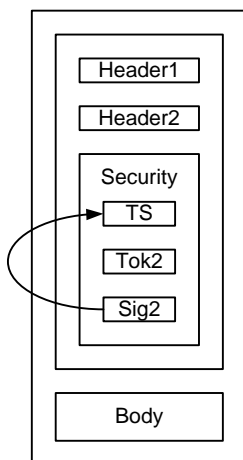
2336 8.4 SignedEndorsingSupportingTokens Assertion

2337 Signed endorsing tokens sign the entire `ds:Signature` element produced from the message signature
 2338 and are themselves signed by that message signature, that is both tokens (the token used for the
 2339 message signature and the signed endorsing token) sign each other. This assertion may optionally
 2340 include additional message parts to sign and/or encrypt. The diagram below illustrates how the signed
 2341 token (Tok2) is signed by the message signature (Sig1) and the endorsing signature (Sig2) signs the
 2342 message signature (Sig1):
 2343



2344

2345 If transport security is used, the token (Tok2) is included in the Security header and the signature (Sig2)
 2346 should cover the message timestamp as illustrated below:
 2347



2349 **Syntax**

```
2350 <sp:SignedEndorsingSupportingTokens xmlns:sp="..." ... >
2351   <wsp:Policy xmlns:wsp="...">
2352     [Token Assertion]+
2353     <sp:AlgorithmSuite ... > ... </sp:AlgorithmSuite> ?
2354     (
2355       <sp:SignedParts ... > ... </sp:SignedParts> |
2356       <sp:SignedElements ... > ... </sp:SignedElements> |
2357       <sp:EncryptedParts ... > ... </sp:EncryptedParts> |
2358       <sp:EncryptedElements ... > ... </sp:EncryptedElements>
2359     ) *
2360     ...
2361   </wsp:Policy>
2362   ...
2363 </sp:SignedEndorsingSupportingTokens>
```

2364

2365 The following describes the attributes and elements listed in the schema outlined above:

2366 /sp:SignedEndorsingSupportingTokens

2367 This identifies a SignedEndorsingSupportingTokens assertion. The specified tokens populate the
2368 [Signed Endorsing Supporting Tokens] property.

2369 /sp:SignedEndorsingSupportingTokens/wsp:Policy

2370 This describes additional requirements for satisfying the EndorsingSupportingTokens assertion.

2371 /sp:SignedEndorsingSupportingTokens/wsp:Policy/[Token Assertion]

2372 The policy MUST identify one or more token assertions.

2373 /sp:SignedEndorsingSupportingTokens/wsp:Policy/sp:AlgorithmSuite

2374 This optional element is a policy assertion that follows the schema outlined in Section 7.1 and
2375 describes the algorithms to use for cryptographic operations performed with the tokens identified
2376 by this policy assertion.

2377 /sp:SignedEndorsingSupportingTokens/wsp:Policy/sp:SignedParts

2378 This optional element is a policy assertion that follows the schema outlined in Section 4.1.1 and
2379 describes additional message parts that MUST be included in the signature generated with the
2380 token identified by this policy assertion.

2381 /sp:SignedEndorsingSupportingTokens/wsp:Policy/sp:SignedElements

2382 This optional element follows the schema outlined in Section 4.1.2 and describes additional
2383 message elements that MUST be included in the signature generated with the token identified by
2384 this policy assertion.

2385 /sp:SignedEndorsingSupportingTokens/wsp:Policy/sp:EncryptedParts

2386 This optional element is a policy assertion that follows the schema outlined in Section 4.2.1 and
2387 describes additional message parts that MUST be encrypted using the token identified by this
2388 policy assertion.

2389 /sp:SignedEndorsingSupportingTokens/wsp:Policy/sp:EncryptedElements

2390 This optional element is a policy assertion that follows the schema outlined in Section 4.2.2 and
2391 describes additional message elements that MUST be encrypted using the token identified by this
2392 policy assertion.

2393 **8.5 SignedEncryptedSupportingTokens Assertion**

2394 Signed, encrypted supporting tokens are Signed supporting tokens (See section 8.2) that are also
2395 encrypted when they appear in the wsse:SecurityHeader. Element Encryption SHOULD be used for
2396 encrypting the supporting tokens.

2397 The syntax for the sp:SignedEncryptedSupportingTokens differs from the syntax of
2398 sp:SignedSupportingTokens only in the name of the assertion itself. All nested policy is as per the
2399 sp:SignedSupportingTokens assertion.

2400 **8.6 EncryptedSupportingTokens Assertion**

2401 Encrypted supporting tokens are supporting tokens (See section 8.1) that are included in
2402 the security header and MUST be encrypted when they appear in the security header.
2403 Element encryption SHOULD be used for encrypting these tokens. The encrypted supporting
2404 tokens can be added to any SOAP message and do not require the "message signature"
2405 being present before the encrypted supporting tokens are added.

2406 The syntax for the sp:EncryptedSupportingTokens differs from the syntax of
2407 sp:SupportingTokens only in the name of the assertion itself. All nested policy is as per the
2408 sp:SupportingTokens assertion.

2409 The encrypted supporting tokens SHOULD be used only when the sender cannot provide the
2410 "message signature" and it is RECOMMENDED that the receiver employs some security
2411 mechanisms external to the message to prevent the spoofing attacks. In all other cases it is
2412 RECOMMENDED to use signed encrypted supporting tokens instead to ensure that the
2413 encrypted tokens are cryptographically bound to the message (See section 8.5).

2414 **8.7 EndorsingEncryptedSupportingTokens Assertion**

2415 Endorsing, encrypted supporting tokens are Endorsing supporting tokens (See section 8.3) that are also
2416 encrypted when they appear in the wsse:SecurityHeader. Element Encryption SHOULD be used for
2417 encrypting the supporting tokens.

2418 The syntax for the sp:EndorsingEncryptedSupportingTokens differs from the syntax of
2419 sp:EndorsingSupportingTokens only in the name of the assertion itself. All nested policy is as per the
2420 sp:EndorsingSupportingTokens assertion.

2421 **8.8 SignedEndorsingEncryptedSupportingTokens Assertion**

2422 Signed, endorsing, encrypted supporting tokens are signed, endorsing supporting tokens (See section
2423 8.4) that are also encrypted when they appear in the wsse:SecurityHeader. Element Encryption SHOULD
2424 be used for encrypting the supporting tokens.

2425 The syntax for the sp:SignedEndorsingEncryptedSupportingTokens differs from the syntax of
2426 sp:SignedEndorsingSupportingTokens only in the name of the assertion itself. All nested policy is as per
2427 the sp:SignedEndorsingSupportingTokens assertion.

2428 **8.9 Interaction between [Token Protection] property and supporting 2429 token assertions**

2430 If [Token Protection] (see Section 6.5) is true, then each signature covers the token that generated that
2431 signature and the following statements hold with respect to the various tokens that sign or are signed;

- 2432 • The message signature, generated from the [Initiator Token] in the Asymmetric Binding case or
2433 the [Signature Token] in the Symmetric binding case, covers that token.
- 2434 • Endorsing signatures cover the main signature and the endorsing token.

- 2435 • For signed, endorsing supporting tokens, the supporting token is signed twice, once by the
2436 message signature and once by the endorsing signature.

2437 In addition, signed supporting tokens are covered by the message signature, although this is independent
2438 of [Token Protection].

2439 8.10 Example

2440 Example policy containing supporting token assertions:

```
2441 <!-- Example Endpoint Policy -->
2442 <wsp:Policy xmlns:wsp="...">
2443   <sp:SymmetricBinding xmlns:sp="...">
2444     <wsp:Policy>
2445       <sp:ProtectionToken>
2446         <sp:IssuedToken sp:IncludeToken=".../IncludeToken/Once" >
2447           <sp:Issuer>...</sp:Issuer>
2448           <sp:RequestSecurityTokenTemplate>
2449             ...
2450           </sp:RequestSecurityTokenTemplate>
2451         </sp:IssuedToken>
2452       </sp:ProtectionToken>
2453       <sp:AlgorithmSuite>
2454         <wsp:Policy>
2455           <sp:Basic256 />
2456         </wsp:Policy>
2457       </sp:AlgorithmSuite>
2458       ...
2459     </wsp:Policy>
2460   </sp:SymmetricBinding>
2461   ...
2462   <sp:SignedSupportingTokens>
2463     <wsp:Policy>
2464       <sp:UsernameToken sp:IncludeToken=".../IncludeToken/Once" />
2465     </wsp:Policy>
2466   </sp:SignedSupportingTokens>
2467   <sp:SignedEndorsingSupportingTokens>
2468     <wsp:Policy>
2469       <sp:X509Token sp:IncludeToken=".../IncludeToken/Once" >
2470         <wsp:Policy>
2471           <sp:WssX509v3Token10 />
2472         </wsp:Policy>
2473       </sp:X509Token>
2474     </wsp:Policy>
2475   </sp:SignedEndorsingSupportingTokens>
2476   ...
2477 </wsp:Policy>
```

2478 The sp:SignedSupportingTokens assertion in the above policy indicates that a Username Token must be
2479 included in the security header and covered by the message signature. The
2480 sp:SignedEndorsingSupportingTokens assertion indicates that an X509 certificate must be included in the
2481 security header and covered by the message signature. In addition, a signature over the message
2482 signature based on the key material associated with the X509 certificate must be included in the security
2483 header.

2484

9 WSS: SOAP Message Security Options

2485 There are several optional aspects to the WSS: SOAP Message Security specification that are
2486 independent of the trust and token taxonomies. This section describes another class of properties and
2487 associated assertions that indicate the supported aspects of WSS: SOAP Message Security. The
2488 assertions defined here MUST apply to [Endpoint Policy Subject].

2489 The properties and assertions dealing with token references defined in this section indicate whether the
2490 initiator and recipient MUST be able to process a given reference mechanism, or whether the initiator and
2491 recipient MAY send a fault if such references are encountered.

2492

2493 Note: This approach is chosen because:

2494 A) [WSS: SOAP Message Security] allows for multiple equivalent reference mechanisms to be used
2495 in a single reference.

2496 B) In a multi-message exchange, a token may be referenced using different mechanisms depending
2497 on which of a series of messages is being secured.

2498

2499 If a message sent to a recipient does not adhere to the recipient's policy the recipient MAY raise a
2500 `wsse:InvalidSecurity` fault.

2501

2502 **WSS: SOAP Message Security 1.0 Properties**

2503 **[Direct References]**

2504 This property indicates whether the initiator and recipient MUST be able to process direct token
2505 references (by ID or URI reference). This property always has a value of 'true'. i.e. All implementations
2506 MUST be able to process such references.

2507

2508 **[Key Identifier References]**

2509 This boolean property indicates whether the initiator and recipient MUST be able to process key-specific
2510 identifier token references. A value of 'true' indicates that the initiator and recipient MUST be able to
2511 generate and process such references. A value of 'false' indicates that the initiator and recipient MUST
2512 NOT generate such references and that the initiator and recipient MAY send a fault if such references are
2513 encountered. This property has a default value of 'false'.

2514

2515 **[Issuer Serial References]**

2516 This boolean property indicates whether the initiator and recipient MUST be able to process references
2517 using the issuer and token serial number. A value of 'true' indicates that the initiator and recipient MUST
2518 be able to process such references. A value of 'false' indicates that the initiator and recipient MUST NOT
2519 generate such references and that the initiator and recipient MAY send a fault if such references are
2520 encountered. This property has a default value of 'false'.

2521

2522 **[External URI References]**

2523 This boolean property indicates whether the initiator and recipient MUST be able to process references to
2524 tokens outside the message using URIs. A value of 'true' indicates that the initiator and recipient MUST
2525 be able to process such references. A value of 'false' indicates that the initiator and recipient MUST NOT

2526 generate such references and that the initiator and recipient MAY send a fault if such references are
2527 encountered. This property has a default value of 'false'.

2528 **[Embedded Token References]**

2529 This boolean property indicates whether the initiator and recipient MUST be able to process references
2530 that contain embedded tokens. A value of 'true' indicates that the initiator and recipient MUST be able to
2531 process such references. A value of 'false' indicates that the initiator and recipient MUST NOT generate
2532 such references and that the initiator and recipient MAY send a fault if such references are encountered.
2533 This property has a default value of 'false'.

2534

2535 **WSS: SOAP Message Security 1.1 Properties**

2536 **[Thumbprint References]**

2537 This boolean property indicates whether the initiator and recipient MUST be able to process references
2538 using token thumbprints. A value of 'true' indicates that the initiator and recipient MUST be able to
2539 process such references. A value of 'false' indicates that the initiator and recipient MUST NOT generate
2540 such references and that the initiator and recipient MAY send a fault if such references are encountered.
2541 This property has a default value of 'false'.

2542

2543 **[EncryptedKey References]**

2544 This boolean property indicates whether the initiator and recipient MUST be able to process references
2545 using EncryptedKey references. A value of 'true' indicates that the initiator and recipient MUST be able to
2546 process such references. A value of 'false' indicates that the initiator and recipient MUST NOT generate
2547 such references and that the initiator and recipient MAY send a fault if such references are encountered.
2548 This property has a default value of 'false'.

2549

2550 **[Signature Confirmation]**

2551 This boolean property specifies whether `wss11:SignatureConfirmation` elements should be used
2552 as defined in WSS: Soap Message Security 1.1. If the value is 'true',
2553 `wss11:SignatureConfirmation` elements MUST be used and signed by the message signature. If
2554 the value is 'false', signature confirmation elements MUST NOT be used. The value of this property
2555 applies to all signatures that are included in the security header. This property has a default value of
2556 'false'.

2557 **9.1 Wss10 Assertion**

2558 The Wss10 assertion allows you to specify which WSS: SOAP Message Security 1.0 options are
2559 supported.

2560 **Syntax**

```
2561 <sp:Wss10 xmlns:sp="..." ... >  
2562   <wsp:Policy xmlns:wsp="...">  
2563     <sp:MustSupportRefKeyIdentifier ... /> ?  
2564     <sp:MustSupportRefIssuerSerial ... /> ?  
2565     <sp:MustSupportRefExternalURI ... /> ?  
2566     <sp:MustSupportRefEmbeddedToken ... /> ?  
2567     ...  
2568   </wsp:Policy>  
2569   ...  
2570 </sp:Wss10>
```

2571

2572 The following describes the attributes and elements listed in the schema outlined above:

- 2573 /sp:Wss10
 2574 This identifies a WSS10 assertion.
- 2575 /sp:Wss10/wsp:Policy
 2576 This indicates a policy that controls WSS: SOAP Message Security 1.0 options.
- 2577 /sp:Wss10/wsp:Policy/sp:MustSupportRefKeyIdentifier
 2578 This optional element is a policy assertion indicates that the [Key Identifier References] property
 2579 is set to 'true'.
- 2580 /sp:Wss10/wsp:Policy/sp:MustSupportRefIssuerSerial
 2581 This optional element is a policy assertion indicates that the [Issuer Serial References] property is
 2582 set to 'true'.
- 2583 /sp:Wss10/wsp:Policy/sp:MustSupportRefExternalURI
 2584 This optional element is a policy assertion indicates that the [External URI References] property is
 2585 set to 'true'.
- 2586 /sp:Wss10/wsp:Policy/sp:MustSupportRefEmbeddedToken
 2587 This optional element is a policy assertion indicates that the [Embedded Token References]
 2588 property is set to 'true'.

2589 9.2 Wss11 Assertion

2590 The Wss11 assertion allows you to specify which WSS: SOAP Message Security 1.1 options are
 2591 supported.

2592 Syntax

```

2593 <sp:Wss11 xmlns:sp="..." ... >
2594   <wsp:Policy xmlns:wsp="...">
2595     <sp:MustSupportRefKeyIdentifier ... /> ?
2596     <sp:MustSupportRefIssuerSerial ... /> ?
2597     <sp:MustSupportRefExternalURI ... /> ?
2598     <sp:MustSupportRefEmbeddedToken ... /> ?
2599     <sp:MustSupportRefThumbprint ... /> ?
2600     <sp:MustSupportRefEncryptedKey ... /> ?
2601     <sp:RequireSignatureConfirmation ... /> ?
2602     ...
2603   </wsp:Policy>
2604 </sp:Wss11>
  
```

2605
 2606 The following describes the attributes and elements listed in the schema outlined above:

- 2607 /sp:Wss11
 2608 This identifies an WSS11 assertion.
- 2609 /sp:Wss11/wsp:Policy
 2610 This indicates a policy that controls WSS: SOAP Message Security 1.1 options.
- 2611 /sp:Wss11/wsp:Policy/sp:MustSupportRefKeyIdentifier
 2612 This optional element is a policy assertion indicates that the [Key Identifier References] property
 2613 is set to 'true'.
- 2614 /sp:Wss11/wsp:Policy/sp:MustSupportRefIssuerSerial
 2615 This optional element is a policy assertion indicates that the [Issuer Serial References] property is
 2616 set to 'true'.

2617 /sp:Wss11/wsp:Policy/sp:MustSupportRefExternalURI
2618 This optional element is a policy assertion indicates that the [External URI References] property is
2619 set to 'true'.

2620 /sp:Wss11/wsp:Policy/sp:MustSupportRefEmbeddedToken
2621 This optional element is a policy assertion indicates that the [Embedded Token References]
2622 property is set to 'true'.

2623 /sp:Wss11/wsp:Policy/sp:MustSupportRefThumbprint
2624 This optional element is a policy assertion indicates that the [Thumbprint References] property is
2625 set to 'true'.

2626 /sp:Wss11/wsp:Policy/sp:MustSupportRefEncryptedKey
2627 This optional element is a policy assertion indicates that the [EncryptedKey References] property
2628 is set to 'true'.

2629 /sp:Wss11/wsp:Policy/sp:RequireSignatureConfirmation
2630 This optional element is a policy assertion indicates that the [Signature Confirmation] property is
2631 set to 'true'.

2632 10 WS-Trust Options

2633 This section defines the various policy assertions related to exchanges based on WS-Trust, specifically
2634 with client and server challenges and entropy behaviors. These assertions relate to interactions with a
2635 Security Token Service and may augment the behaviors defined by the Binding Property Assertions
2636 defined in Section 6. The assertions defined here MUST apply to [Endpoint Policy Subject].

2637

2638 **WS-Trust 1.3 Properties**

2639 **[Client Challenge]**

2640 This boolean property indicates whether client challenges are supported. A value of 'true' indicates that a
2641 `wst:SignChallenge` element is supported inside of an RST sent by the client to the server. A value of
2642 'false' indicates that a `wst:SignChallenge` is not supported. There is no change in the number of
2643 messages exchanged by the client and service in satisfying the RST. This property has a default value of
2644 'false'.

2645

2646 **[Server Challenge]**

2647 This boolean property indicates whether server challenges are supported. A value of 'true' indicates that a
2648 `wst:SignChallenge` element is supported inside of an RSTR sent by the server to the client. A value of
2649 'false' indicates that a `wst:SignChallenge` is not supported. A challenge issued by the server may
2650 increase the number of messages exchanged by the client and service in order to accommodate the
2651 `wst:SignChallengeResponse` element sent by the client to the server in response to the
2652 `wst:SignChallenge` element. A final RSTR containing the issued token will follow subsequent to the
2653 server receiving the `wst:SignChallengeResponse` element. This property has a default value of 'false'.

2654

2655 **[Client Entropy]**

2656 This boolean property indicates whether client entropy is required to be used as key material for a
2657 requested proof token. A value of 'true' indicates that client entropy is required. A value of 'false' indicates
2658 that client entropy is not required. This property has a default value of 'false'.

2659

2660 **[Server Entropy]**

2661 This boolean property indicates whether server entropy is required to be used as key material for a
2662 requested proof token. A value of 'true' indicates that server entropy is required. A value of 'false'
2663 indicates that server entropy is not required. This property has a default value of 'false'.

2664 Note: If both the [Client Entropy] and [Server Entropy] properties are set to true, Client and server entropy
2665 are combined to produce a computed key using the Computed Key algorithm defined by the [Algorithm
2666 Suite] property.

2667

2668 **[Issued Tokens]**

2669 This boolean property indicates whether the `wst:IssuedTokens` header is supported as described in
2670 WS-Trust. A value of 'true' indicates that the `wst:IssuedTokens` header is supported. A value of 'false'
2671 indicates that the `wst:IssuedTokens` header is not supported. This property has a default value of
2672 'false'.

2673 **[Collection]**

2674 This boolean property specifies whether a wst:RequestSecurityTokenCollection element is present. A
2675 value of 'true' indicates that the wst:RequestSecurityTokenCollection element MUST be present and
2676 MUST be integrity protected either by transport or message level security. A value of 'false' indicates that
2677 the wst:RequestSecurityTokenCollection element MUST NOT be present. This property has a default
2678 value of 'false'.
2679

2680 10.1 Trust13 Assertion

2681 The Trust13 assertion allows you to specify which WS-Trust 1.3 options are supported.

2682 Syntax

```
2683 <sp:Trust13 xmlns:sp="..." ... >  
2684   <wsp:Policy xmlns:wsp="...">  
2685     <sp:MustSupportClientChallenge ... />?  
2686     <sp:MustSupportServerChallenge ... />?  
2687     <sp:RequireClientEntropy ... />?  
2688     <sp:RequireServerEntropy ... />?  
2689     <sp:MustSupportIssuedTokens ... />?  
2690     <sp:RequireRequestSecurityTokenCollection />?  
2691     <sp:RequireAppliesTo />?  
2692     ...  
2693   </wsp:Policy>  
2694   ...  
2695 </sp:Trust13 ... >
```

2696
2697 The following describes the attributes and elements listed in the schema outlined above:

2698 /sp:Trust13

2699 This identifies a Trust13 assertion.

2700 /sp:Trust13/wsp:Policy

2701 This indicates a policy that controls WS-Trust 1.3 options.

2702 /sp:Trust13/wsp:Policy/sp:MustSupportClientChallenge

2703 This optional element is a policy assertion indicates that the [Client Challenge] property is set to
2704 'true'.

2705 /sp:Trust13/wsp:Policy/sp:MustSupportServerChallenge

2706 This optional element is a policy assertion indicates that the [Server Challenge] property is set to
2707 'true'.

2708 /sp:Trust13/wsp:Policy/sp:RequireClientEntropy

2709 This optional element is a policy assertion indicates that the [Client Entropy] property is set to
2710 'true'.

2711 /sp:Trust13/wsp:Policy/sp:RequireServerEntropy

2712 This optional element is a policy assertion indicates that the [Server Entropy] property is set to
2713 'true'.

2714 /sp:Trust13/wsp:Policy/sp:MustSupportIssuedTokens

2715 This optional element is a policy assertion indicates that the [Issued Tokens] property is set to
2716 'true'.

2717 /sp:Trust13/wsp:Policy/sp:RequireRequestSecurityTokenCollection

2718 This optional element is a policy assertion that indicates that the [Collection] property is set to
2719 'true'.

2720 /sp:Trust10/wsp:Policy/sp:RequireAppliesTo

2721 This optional element is a policy assertion that indicates that the STS requires the requestor to
2722 specify the scope for the issued token using wsp:AppliesTo in the RST.

2723 11 Guidance on creating new assertions and assertion 2724 extensibility

2725 This non-normative appendix provides guidance for designers of new assertions intended for use with this
2726 specification.

2727 11.1 General Design Points

- 2728 • Prefer Distinct QNames
- 2729 • Parameterize using nested policy where possible.
- 2730 • Parameterize using attributes and/or child elements where necessary.

2731 11.2 Detailed Design Guidance

2732 Assertions in WS-SP are XML elements that are identified by their QName. Matching of assertions per
2733 WS-Policy is performed by matching element QNames. Matching does not take into account attributes
2734 that are present on the assertion element. Nor does it take into account child elements except for
2735 `wsp:Policy` elements. If a `wsp:Policy` element is present, then matching occurs against the assertions
2736 nested inside that `wsp:Policy` element recursively (see [Policy Assertion Nesting \[WS-Policy\]](#)).

2737
2738 When designing new assertions for use with WS-SP, the above matching behaviour needs to be taken
2739 into account. In general, multiple assertions with distinct QNames are preferably to a single assertion that
2740 uses attributes and/or content to distinguish different cases. For example, given two possible assertion
2741 designs;

```
2742  
2743 Design 1  
2744  
2745 <A1/>  
2746 <A2/>  
2747 <A3/>  
2748  
2749 Design 2.  
2750  
2751 <A Parameter='1' />  
2752 <A Parameter='2' />  
2753 <A Parameter='3' />  
2754
```

2755 then design 1. would generally be preferred because it allows the policy matching logic to provide more
2756 accurate matches between policies.

2757
2758 A good example of design 1 is the token assertions defined in Section 5. The section defines 10 distinct
2759 token assertions, rather than a single `sp:Token` assertion with, for example, a `TokenType` attribute. These
2760 distinct token assertions make policy matching much more useful as less false positives are generated
2761 when performing policy matching.

2762
2763 There are cases where using attributes or child elements as parameters in assertion design is
2764 reasonable. Examples include cases when implementations are expected to understand all the values for
2765 a given parameter and when encoding the parameter information into the assertion QName would result
2766 in an unmanageable number of assertions. A good example is the `sp:IncludeToken` attribute that appears

2767 on the various token assertions. Five possible values are currently specified for the sp:IncludeToken
2768 attribute and implementations are expected to understand the meaning of all 5 values. If this information
2769 was encoded into the assertion QNames, each existing token assertion would require five variants, one
2770 for each Uri value which would result in 45 assertions just for the tokens defined in Section 5.

2771

2772 Nested policy is ideal for encoding parameters that can be usefully matched using policy matching. For
2773 example, the token version assertions defined in Section 5 use such an approach. The overall token type
2774 assertion is parameterized by the nested token version assertions. Policy matching can use these
2775 parameters to find matches between policies where the broad token type is support by both parties but
2776 they might not support the same specific versions.

2777

2778 Note, when designing assertions for new token types such assertions SHOULD allow the
2779 sp:IncludeToken attribute and SHOULD allow nested policy.

2780

2781 **12 Security Considerations**

2782 It is strongly recommended that policies and assertions be signed to prevent tampering.

2783 It is recommended that policies should not be accepted unless they are signed and have an associated
2784 security token to specify the signer has proper claims for the given policy. That is, a party shouldn't rely
2785 on a policy unless the policy is signed and presented with sufficient claims. It is further recommended that
2786 the entire policy exchange mechanism be protected to prevent man-in-the-middle downgrade attacks.

2787
2788 It should be noted that the mechanisms described in this document could be secured as part of a SOAP
2789 message using WSS: SOAP Message Security [[WSS10](#), [WSS11](#)] or embedded within other objects using
2790 object-specific security mechanisms.

2791
2792 It is recommended that policies not specify two (or more) SignedSupportingTokens or
2793 SignedEndorsingSupportingTokens of the same token type. Messages conforming to such policies are
2794 subject to modification which may be undetectable.

2795
2796 It is recommended that policies specify the OnlySignEntireHeadersAndBody assertion along with the rest
2797 of the policy in order to combat certain XML substitution attacks.

2798 **A. Assertions and WS-PolicyAttachment**

2799 This non-normative appendix classifies assertions according to their suggested scope in WSDL 1.1 per
2800 Section 4 of [WS-PolicyAttachment]. See Figure 1 in Section 4.1 of [WS-PolicyAttachment] for a graphical
2801 representation of the relationship between policy scope and WSDL. Unless otherwise noted above, any
2802 assertion that is listed under multiple [Policy Subjects] below MUST only apply to only one [Policy
2803 Subject] in a WSDL 1.1 hierarchy for calculating an Effective Policy.

2804 **A.1 Endpoint Policy Subject Assertions**

2805 **A.1.1 Security Binding Assertions**

2806 [TransportBinding Assertion](#) (Section 7.3)

2807 [SymmetricBinding Assertion](#) (Section 7.4)

2808 [AsymmetricBinding Assertion](#) (Section 7.5)

2809 **A.1.2 Token Assertions**

2810 [SupportingTokens Assertion](#) (Section 8.1)

2811 [SignedSupportingTokens Assertion](#) (Section 8.2)

2812 [EndorsingSupportingTokens Assertion](#) (Section 8.3)

2813 [SignedEndorsingSupportingTokens Assertion](#) (Section 8.4)

2814 [SignedEncryptedSupportingTokens Assertion](#) (Section 8.5)

2815 [EndorsingEncryptedSupportingTokens Assertion](#) (Section 8.6)

2816 [SignedEndorsingEncryptedSupportingTokens Assertion](#) (Section 8.7)

2817 **A.1.3 WSS: SOAP Message Security 1.0 Assertions**

2818 [Wss10 Assertion](#) (Section 9.1)

2819 **A.1.4 WSS: SOAP Message Security 1.1 Assertions**

2820 [Wss11 Assertion](#) (Section 9.2)

2821 **A.1.5 Trust 1.0 Assertions**

2822 [Trust13 Assertion](#) (Section 10.1)

2823 **A.2 Operation Policy Subject Assertions**

2824 **A.2.1 Security Binding Assertions**

2825 [SymmetricBinding Assertion](#) (Section 7.4)

2826 [AsymmetricBinding Assertion](#) (Section 7.5)

2827 **A.2.2 Supporting Token Assertions**

2828 [SupportingTokens Assertion](#) (Section 8.1)

2829 [SignedSupportingTokens Assertion](#) (Section 8.2)

2830	EndorsingSupportingTokens Assertion	(Section 8.3)
2831	SignedEndorsingSupportingTokens Assertion	(Section 8.4)
2832	SignedEncryptedSupportingTokens Assertion	(Section 8.5)
2833	EndorsingEncryptedSupportingTokens Assertion	(Section 8.6)
2834	SignedEndorsingEncryptedSupportingTokens Assertion	(Section 8.7)

2835 **A.3 Message Policy Subject Assertions**

2836 **A.3.1 Supporting Token Assertions**

2837	SupportingTokens Assertion	(Section 8.1)
2838	SignedSupportingTokens Assertion	(Section 8.2)
2839	EndorsingSupportingTokens Assertion	(Section 8.3)
2840	SignedEndorsingSupportingTokens Assertion	(Section 8.4)
2841	SignedEncryptedSupportingTokens Assertion	(Section 8.5)
2842	EndorsingEncryptedSupportingTokens Assertion	(Section 8.6)
2843	SignedEndorsingEncryptedSupportingTokens Assertion	(Section 8.7)

2844 **A.3.2 Protection Assertions**

2845	SignedParts Assertion	(Section 4.1.1)
2846	SignedElements Assertion	(Section 4.1.2)
2847	EncryptedParts Assertion	(Section 4.2.1)
2848	EncryptedElements Assertion	(Section 4.2.2)
2849	ContentEncryptedElements Assertion	(Section 4.2.3)
2850	RequiredElements Assertion	(Section 4.3.1)
2851	RequiredParts Assertion	(Section 4.3.2)

2852 **A.4 Assertions With Undefined Policy Subject**

2853 The assertions listed in this section do not have a defined policy subject because they appear nested
 2854 inside some other assertion which does have a defined policy subject. This list is derived from nested
 2855 assertions in the specification that have independent sections. It is not a complete list of nested
 2856 assertions. Many of the assertions previously listed in this appendix as well as the ones below have
 2857 additional nested assertions.

2858 **A.4.1 General Assertions**

2859	AlgorithmSuite Assertion	(Section 7.1)
2860	Layout Assertion	(Section 7.2)

2861 **A.4.2 Token Usage Assertions**

2862 See the nested assertions under the [TransportBinding](#), [SymmetricBinding](#) and [AssymetricBinding](#)
 2863 assertions.

2864 **A.4.3 Token Assertions**

2865	UsernameToken Assertion	(Section 5.3.1)
------	---	-----------------

2866	IssuedToken Assertion	(Section 5.3.2)
2867	X509Token Assertion	(Section 5.3.3)
2868	KerberosToken Assertion	(Section 5.3.4)
2869	SpnegoContextToken Assertion	(Section 5.3.5)
2870	SecurityContextToken Assertion	(Section 5.3.6)
2871	SecureConversationToken Assertion	(Section 5.3.7)
2872	SamlToken Assertion	(Section 5.3.8)
2873	RelToken Assertion	(Section 5.3.9)
2874	HttpsToken Assertion	(Section 5.3.10)

2875

B. Issued Token Policy

2876
2877

The section provides further detail about behavior associated with the IssuedToken assertion in section 5.3.2.

2878

2879

The issued token security model involves a three-party setup. There's a target Server, a Client, and a trusted third party called a Security Token Service or STS. Policy flows from Server to Client, and from STS to Client. Policy may be embedded inside an Issued Token assertion, or acquired out-of-band. There may be an explicit trust relationship between the Server and the STS. There must be a trust relationship between the Client and the STS.

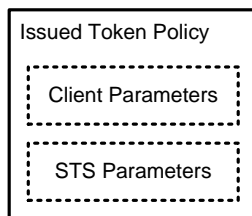
2884

2885

The Issued Token policy assertion includes two parts: 1) client-specific parameters that must be understood and processed by the client and 2) STS specific parameters which are to be processed by the STS. The format of the Issued Token policy assertion is illustrated in the figure below.

2886

2887



2888

2889

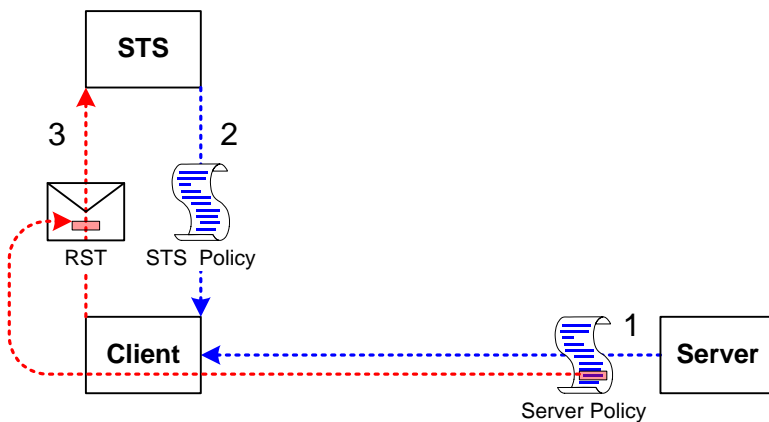
The client-specific parameters of the Issued Token policy assertion along with the remainder of the server policy are consumed by the client. The STS specific parameters of the Issued Token policy assertion are passed on to the STS by copying the parameters directly into the `wst:SecondaryParameters` of the RST request sent by the Client to the STS as illustrated in the figure below.

2890

2891

2892

2893



2894

2895

Before the Client sends the RST to the STS, it will need to obtain the policy for the STS. This will help to formulate the RST request and will include any security-specific requirements of the STS.

2896

2897

2898

The Client may augment or replace the contents of the RST made to the STS based on the Client-specific parameters received from the Issued Token policy assertion contained in the Server policy, from policy it received for the STS, or any other local parameters.

2899

2900

2901

2902 The Issued Token Policy Assertion contains elements which must be understood by the Client. The
2903 assertion contains one element which contains a list of arbitrary elements which should be sent along to
2904 the STS by copying the elements as-is directly into the `wst:SecondaryParameters` of the RST
2905 request sent by the Client to the STS following the protocol defined in WS-Trust.

2906

2907 Elements inside the `sp:RequestSecurityTokenTemplate` element MUST conform to WS-Trust [\[WS-](#)
2908 [Trust\]](#). All items are optional, since the Server and STS may already have a pre-arranged relationship
2909 which specifies some or all of the conditions and constraints for issued tokens.

2910

C. Strict Security Header Layout Examples

2911 The following sections describe the security header layout for specific bindings when applying the 'Strict'
2912 layout rules defined in Section 6.7.

2913 C.1 Transport Binding

2914 This section describes how the 'Strict' security header layout rules apply to the Transport Binding.

2915 C.1.1 Policy

2916 The following example shows a policy indicating a Transport Binding, an Https Token as the Transport
2917 Token, an algorithm suite, a requirement to include tokens in the supporting signatures, a username
2918 token attached to the message, and finally an X509 token attached to the message and endorsing the
2919 message signature. No message protection requirements are described since the transport covers all
2920 message parts.

```
2921 <wsp:Policy xmlns:wsp="..." xmlns:sp="...">
2922   <sp:TransportBinding>
2923     <wsp:Policy>
2924       <sp:TransportToken>
2925         <wsp:Policy>
2926           <sp:HttpsToken />
2927         </wsp:Policy>
2928       </sp:TransportToken>
2929       <sp:AlgorithmSuite>
2930         <wsp:Policy>
2931           <sp:Basic256 />
2932         </wsp:Policy>
2933       </sp:AlgorithmSuite>
2934       <sp:Layout>
2935         <wsp:Policy>
2936           <sp:Strict />
2937         </wsp:Policy>
2938       </sp:Layout>
2939       <sp:IncludeTimestamp />
2940     </wsp:Policy>
2941   </sp:TransportBinding>
2942   <sp:SignedSupportingTokens>
2943     <wsp:Policy>
2944       <sp:UsernameToken sp:IncludeToken=".../IncludeToken/Once" />
2945     </wsp:Policy>
2946   </sp:SignedSupportingTokens>
2947   <sp:SignedEndorsingSupportingTokens>
2948     <wsp:Policy>
2949       <sp:X509Token sp:IncludeToken=".../IncludeToken/Once">
2950         <wsp:Policy>
2951           <sp:WssX509v3Token10 />
2952         </wsp:Policy>
2953       </sp:X509Token>
2954     </wsp:Policy>
2955   </sp:SignedEndorsingSupportingTokens>
2956   <sp:Wss11>
2957     <sp:RequireSignatureConfirmation />
2958   </sp:Wss11>
2959 </wsp:Policy>
```

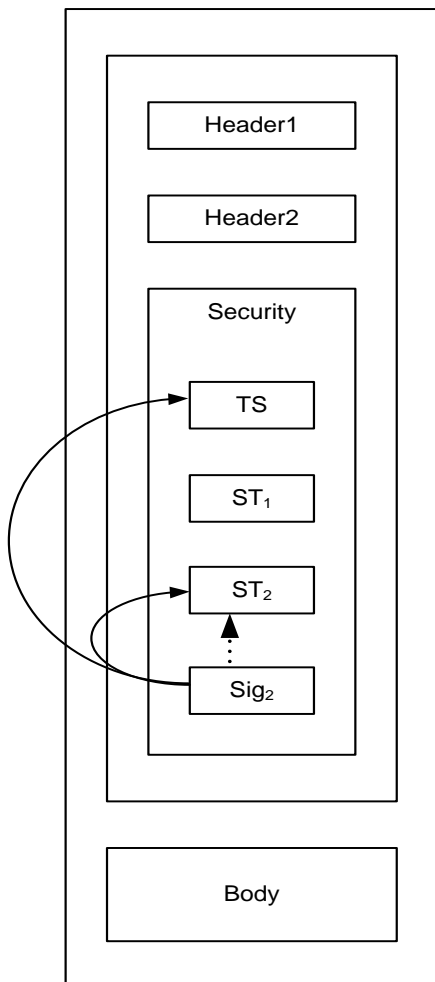
2960 This policy is used as the basis for the examples shown in the subsequent section describing the security
2961 header layout for this binding.

2962 **C.1.2 Initiator to Recipient Messages**

2963 Messages sent from initiator to recipient have the following layout for the security header:

- 2964 1. A `wsu:Timestamp` element.
- 2965 2. Any tokens contained in the [Signed Supporting Tokens] property.
- 2966 3. Any tokens contained in the [Signed Endorsing Supporting Tokens] property each followed by the
2967 corresponding signature. Each signature **MUST** cover the `wsu:Timestamp` element from 1
2968 above and **SHOULD** cover any other unique identifier for the message in order to prevent
2969 replays. If [Token Protection] is 'true', the signature **MUST** also cover the supporting token. If
2970 [Derived Keys] is 'true' and the supporting token is associated with a symmetric key, then a
2971 Derived Key Token, based on the supporting token, appears between the supporting token and
2972 the signature.
- 2973 4. Any signatures for tokens contained in the [Endorsing Supporting Tokens] property. Each
2974 signature **MUST** cover the `wsu:Timestamp` element from 1 above and **SHOULD** cover at least
2975 some other unique identifier for the message in order to prevent replays. If [Token Protection] is
2976 'true', the signature **MUST** also cover the supporting token. If [Derived Keys] is 'true' and the
2977 supporting token is associated with a symmetric key, then a Derived Key Token, based on the
2978 supporting token, appears before the signature.

2979 The following diagram illustrates the security header layout for the initiator to recipient message:



2980

2981 The outer box shows that the entire message is protected (signed and encrypted) by the transport. The
2982 arrows on the left from the box labeled Sig₂ indicate the parts signed by the supporting token labeled ST₂,
2983 namely the message timestamp labeled TS and the token used as the basis for the signature labeled ST₂.
2984 The dotted arrow indicates the token that was used as the basis for the signature. In general, the ordering
2985 of the items in the security header follows the most optimal layout for a receiver to process its contents.

2986 *Example:*

2987 Initiator to recipient message

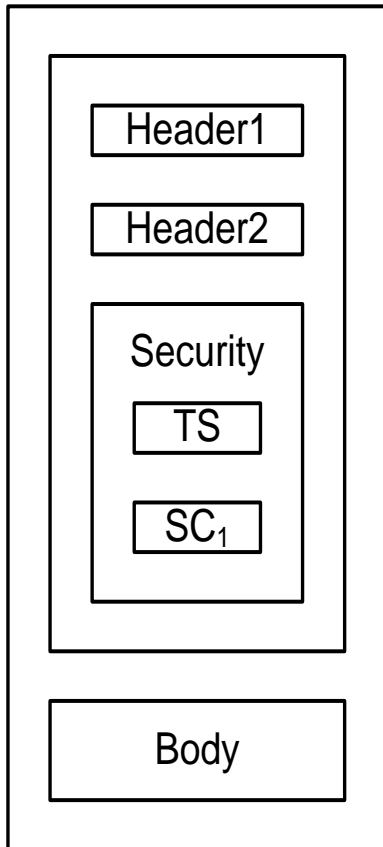
```
2988 <S:Envelope xmlns:S="..." xmlns:wsse="..." xmlns:wsu="..." xmlns:ds="...">  
2989   <S:Header>  
2990     ...  
2991     <wsse:Security>  
2992       <wsu:Timestamp wsu:Id="timestamp">  
2993         <wsu:Created>[datetime]</wsu:Created>  
2994         <wsu:Expires>[datetime]</wsu:Expires>  
2995       </wsu:Timestamp>  
2996       <wsse:UsernameToken wsu:Id='SomeSignedToken' >  
2997         ...  
2998       </wsse:UsernameToken>  
2999       <wsse:BinarySecurityToken wsu:Id="SomeSignedEndorsingToken" >  
3000         ...  
3001       </wsse:BinarySecurityToken>  
3002     <ds:Signature>  
3003       <ds:SignedInfo>  
3004         <ds:References>  
3005           <ds:Reference URI="#timestamp" />  
3006           <ds:Reference URI="#SomeSignedEndorsingToken" />  
3007         </ds:References>  
3008       </ds:SignedInfo>  
3009       <ds:SignatureValue>...</ds:SignatureValue>  
3010       <ds:KeyInfo>  
3011         <wsse:SecurityTokenReference>  
3012           <wsse:Reference URI="#SomeSignedEndorsingToken" />  
3013         </wsse:SecurityTokenReference>  
3014       </ds:KeyInfo>  
3015     </ds:Signature>  
3016     ...  
3017   </wsse:Security>  
3018   ...  
3019 </S:Header>  
3020 <S:Body>  
3021   ...  
3022 </S:Body>  
3023 </S:Envelope>
```

3024 C.1.3 Recipient to Initiator Messages

3025 Messages sent from recipient to initiator have the following layout for the security header:

- 3026 1. A `wsu:Timestamp` element.
- 3027 2. If the [Signature Confirmation] property has a value of 'true', then a
3028 `wsse11:SignatureConfirmation` element for each signature in the corresponding message
3029 sent from initiator to recipient. If there are no signatures in the corresponding message from the
3030 initiator to the recipient, then a `wsse11:SignatureConfirmation` element with no `Value`
3031 attribute.

3032 The following diagram illustrates the security header layout for the recipient to initiator message:



3033

3034 The outer box shows that the entire message is protected (signed and encrypted) by the transport. One
 3035 `wsse11:SignatureConfirmation` element labeled SC₁ corresponding to the signature in the initial
 3036 message illustrated previously is included. In general, the ordering of the items in the security header
 3037 follows the most optimal layout for a receiver to process its contents.

3038 *Example:*

3039 Recipient to initiator message

```

3040 <S:Envelope xmlns:S="..." xmlns:wsse="..." xmlns:wsu="..." xmlns:wsse11="...">
3041   <S:Header>
3042     ...
3043     <wsse:Security>
3044       <wsu:Timestamp wsu:Id="timestamp">
3045         <wsu:Created>[datetime]</wsu:Created>
3046         <wsu:Expires>[datetime]</wsu:Expires>
3047       </wsu:Timestamp>
3048       <wsse11:SignatureConfirmation Value="..." />
3049       ...
3050     </wsse:Security>
3051     ...
3052   </S:Header>
3053   <S:Body>
3054     ...
3055   </S:Body>
3056 </S:Envelope>
  
```

3057 C.2 Symmetric Binding

3058 This section describes how the 'Strict' security header layout rules apply to the Symmetric Binding.

3059 C.2.1 Policy

3060 The following example shows a policy indicating a Symmetric Binding, a symmetric key based
3061 IssuedToken provided as the Protection Token, an algorithm suite, a requirement to encrypt the message
3062 parts before signing, a requirement to encrypt the message signature, a requirement to include tokens in
3063 the message signature and the supporting signatures, a username token attached to the message, and
3064 finally an X509 token attached to the message and endorsing the message signature. Minimum message
3065 protection requirements are described as well.

```
3066 <!-- Example Endpoint Policy -->
3067 <wsp:Policy xmlns:wsp="..." xmlns:sp="...">
3068   <sp:SymmetricBinding>
3069     <wsp:Policy>
3070       <sp:ProtectionToken>
3071         <sp:IssuedToken sp:IncludeToken=".../IncludeToken/Once" >
3072           <sp:Issuer>...</sp:Issuer>
3073           <sp:RequestSecurityTokenTemplate>
3074             ...
3075           </sp:RequestSecurityTokenTemplate>
3076         </sp:IssuedToken>
3077       </sp:ProtectionToken>
3078       <sp:AlgorithmSuite>
3079         <wsp:Policy>
3080           <sp:Basic256 />
3081         </wsp:Policy>
3082       </sp:AlgorithmSuite>
3083       <sp:Layout>
3084         <wsp:Policy>
3085           <sp:Strict />
3086         </wsp:Policy>
3087       </sp:Layout>
3088       <sp:IncludeTimestamp />
3089       <sp:EncryptBeforeSigning />
3090       <sp:EncryptSignature />
3091       <sp:ProtectTokens />
3092     </wsp:Policy>
3093   </sp:SymmetricBinding>
3094   <sp:SignedSupportingTokens>
3095     <wsp:Policy>
3096       <sp:UsernameToken sp:IncludeToken=".../IncludeToken/Once" />
3097     </wsp:Policy>
3098   </sp:SignedSupportingTokens>
3099   <sp:SignedEndorsingSupportingTokens>
3100     <wsp:Policy>
3101       <sp:X509Token sp:IncludeToken=".../IncludeToken/Once">
3102         <wsp:Policy>
3103           <sp:WssX509v3Token10 />
3104         </wsp:Policy>
3105       </sp:X509Token>
3106     </wsp:Policy>
3107   </sp:SignedEndorsingSupportingTokens>
3108   <sp:Wss11>
3109     <wsp:Policy>
3110       <sp:RequireSignatureConfirmation />
3111     </wsp:Policy>
3112   </sp:Wss11>
3113 </wsp:Policy>
3114
```

```

3115 <!-- Example Message Policy -->
3116 <wsp:Policy xmlns:wsp="..." xmlns:sp="...">
3117   <sp:SignedParts>
3118     <sp:Header Name="Header1" Namespace="..." />
3119     <sp:Header Name="Header2" Namespace="..." />
3120     <sp:Body/>
3121   </sp:SignedParts>
3122   <sp:EncryptedParts>
3123     <sp:Header Name="Header2" Namespace="..." />
3124     <sp:Body/>
3125   </sp:EncryptedParts>
3126 </wsp:Policy>
3127

```

3128 This policy is used as the basis for the examples shown in the subsequent section describing the security
3129 header layout for this binding.

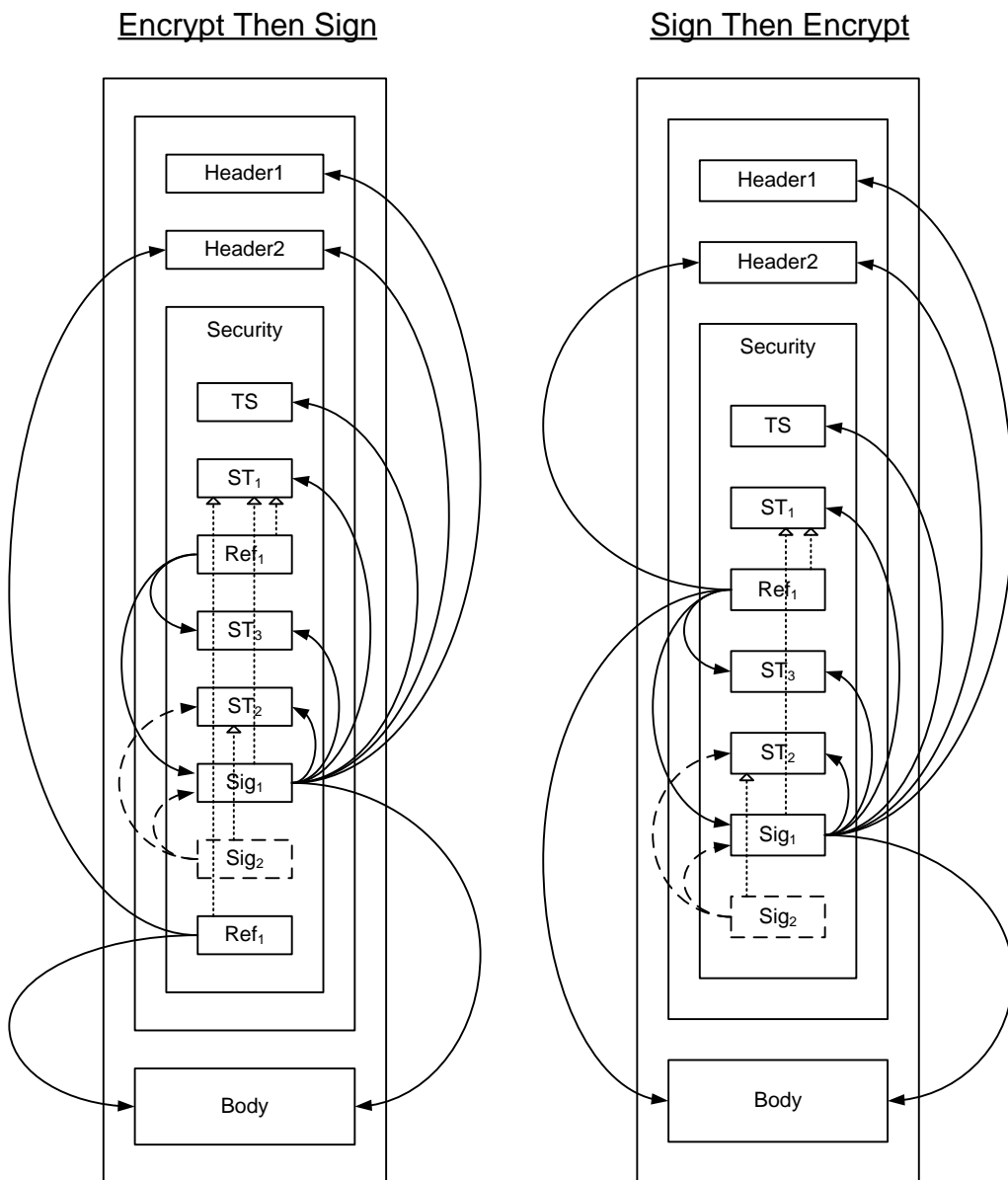
3130 C.2.2 Initiator to Recipient Messages

3131 Messages sent from initiator to recipient have the following layout for the security header:

- 3132 1. A `wsu:Timestamp` element if [Timestamp] is 'true'.
- 3133 2. If the `sp:IncludeToken` attribute on the [Encryption Token] is `.../IncludeToken/Once` or
3134 `.../IncludeToken/Always`, then the [Encryption Token].
- 3135 3. If [Derived Keys] is 'true', then a Derived Key Token, based on the [Encryption Token]. This
3136 Derived Key Token is used for encryption.
- 3137 4. A reference list including references to encrypted items. If [Signature Protection] is 'true', then the
3138 reference list MUST include a reference to the message signature. If [Protection Order] is
3139 'SignBeforeEncrypting', then the reference list MUST include a reference to all the message parts
3140 specified in the EncryptedParts assertions in the policy. If [Derived Keys] is 'true', then the key in
3141 the token from 3 above MUST be used, otherwise the key in the [Encryption Token].
- 3142 5. Any tokens from the [Signed Supporting Tokens] and [Signed Endorsing Supporting Tokens]
3143 properties whose `sp:IncludeToken` attribute is `.../IncludeToken/Once` or
3144 `.../IncludeToken/Always`.
- 3145 6. If the [Signature Token] is not the same as the [Encryption Token], and the `sp:IncludeToken`
3146 attribute on the [Signature Token] is `.../IncludeToken/Once` or `.../IncludeToken/Always`, then the
3147 [Signature Token].
- 3148 7. If [Derived Keys] is 'true', then a Derived Key Token based on the [Signature Token]. This
3149 Derived Key Token is used for signature.
- 3150 8. A signature over the `wsu:Timestamp` from 1 above, any tokens from 5 above regardless of
3151 whether they are included in the message, and any message parts specified in SignedParts
3152 assertions in the policy. If [Token Protection] is 'true', the signature MUST cover the [Signature
3153 Token] regardless of whether it is included in the message. If [Derived Keys] is 'true', the key in
3154 the token from 7 above MUST be used, otherwise the key in the [Signature Token] from 6 above.
- 3155 9. Signatures covering the main signature from 8 above for any tokens from the [Endorsing
3156 Supporting Tokens] and [Signed Endorsing Supporting Tokens] properties. If [Token Protection]
3157 is 'true', the signature MUST also cover the endorsing token. If [Derived Keys] is 'true' and the
3158 endorsing token is associated with a symmetric key, then a Derived Key Token, based on the
3159 endorsing token, appears before the signature.
- 3160 10. If [Protection Order] is 'EncryptBeforeSigning', then a reference list referencing all the message
3161 parts specified in EncryptedParts assertions in the policy. If [Derived Keys] is 'true', then the key
3162 in the token from 3 above MUST be used, otherwise the key in the [Encryption Token] from 2
3163 above.

3164

3165 The following diagram illustrates the security header layout for the initiator to recipient message:



3166

3167 The arrows on the right indicate parts that were signed as part of the message signature labeled Sig₁.
3168 The dashed arrows on the left from the box labeled Sig₂ indicate the parts signed by the supporting token
3169 labeled ST₂, namely the message signature labeled Sig₁ and the token used as the basis for the
3170 signature labeled ST₂. The arrows on the left from boxes labeled Ref₁ indicate references to parts
3171 encrypted using a key based on the Shared Secret Token labeled ST₁. The dotted arrows inside the box
3172 labeled Security indicate the token that was used as the basis for each cryptographic operation. In
3173 general, the ordering of the items in the security header follows the most optimal layout for a receiver to
3174 process its contents.

3175 *Example:*

3176 Initiator to recipient message using EncryptBeforeSigning:

```
3177 <S:Envelope xmlns:S="..." xmlns:x="..." xmlns:wsu="..."
3178   xmlns:wssell="..." xmlns:wsse="..." xmlns:saml="..."
3179   xmlns:xenc="..." xmlns:ds="...">
3180   <S:Header>
3181     <x:Header1 wsu:Id="Header1" >
3182       ...
3183     </x:Header1>
3184
```

```

3185 <wsse1:EncryptedHeader wsu:Id="enc_Header2">
3186   <!-- Plaintext Header2
3187   <x:Header2 wsu:Id="Header2" >
3188     ...
3189   </x:Header2>
3190   -->
3191   ...
3192 </wsse1:EncryptedHeader>
3193 ...
3194 <wsse:Security>
3195   <wsu:Timestamp wsu:Id="Timestamp">
3196     <wsu:Created>...</wsu:Created>
3197     <wsu:Expires>...</wsu:Expires>
3198   </wsu:Timestamp>
3199   <saml:Assertion AssertionId="_SharedSecretToken" ...>
3200     ...
3201   </saml:Assertion>
3202   <xenc:ReferenceList>
3203     <xenc:DataReference URI="#enc_Signature" />
3204     <xenc:DataReference URI="#enc_SomeUsernameToken" />
3205     ...
3206   </xenc:ReferenceList>
3207   <xenc:EncryptedData ID="enc_SomeUsernameToken" >
3208     <!-- Plaintext UsernameToken
3209     <wsse:UsernameToken wsu:Id="SomeUsernameToken" >
3210       ...
3211     </wsse:UsernameToken>
3212     -->
3213     ...
3214     <ds:KeyInfo>
3215       <wsse:SecurityTokenReference>
3216         <wsse:Reference URI="#_SharedSecretToken" />
3217       </wsse:SecurityTokenReference>
3218     </ds:KeyInfo>
3219   </xenc:EncryptedData>
3220   <wsse:BinarySecurityToken wsu:Id="SomeSupportingToken" >
3221     ...
3222   </wsse:BinarySecurityToken>
3223   <xenc:EncryptedData ID="enc_Signature">
3224     <!-- Plaintext Signature
3225     <ds:Signature Id="Signature">
3226       <ds:SignedInfo>
3227         <ds:References>
3228           <ds:Reference URI="#Timestamp" >...</ds:Reference>
3229           <ds:Reference URI="#SomeUsernameToken" >...</ds:Reference>
3230           <ds:Reference URI="#SomeSupportingToken" >...</ds:Reference>
3231           <ds:Reference URI="#_SharedSecretToken" >...</ds:Reference>
3232           <ds:Reference URI="#Header1" >...</ds:Reference>
3233           <ds:Reference URI="#Header2" >...</ds:Reference>
3234           <ds:Reference URI="#Body" >...</ds:Reference>
3235         </ds:References>
3236       </ds:SignedInfo>
3237     </ds:SignatureValue>...</ds:SignatureValue>
3238     <ds:KeyInfo>
3239       <wsse:SecurityTokenReference>
3240         <wsse:Reference URI="#_SharedSecretToken" />
3241       </wsse:SecurityTokenReference>
3242     </ds:KeyInfo>
3243   </xenc:EncryptedData>
3244   -->
3245   ...
3246   <ds:KeyInfo>
3247     <wsse:SecurityTokenReference>
3248       <wsse:Reference URI="#_SharedSecretToken" />

```

```

3249     </wsse:SecurityTokenReference>
3250   </ds:KeyInfo>
3251 </xenc:EncryptedData>
3252 <ds:Signature>
3253   <ds:SignedInfo>
3254     <ds:References>
3255       <ds:Reference URI="#Signature" >...</ds:Reference>
3256       <ds:Reference URI="#SomeSupportingToken" >...</ds:Reference>
3257     </ds:References>
3258   </ds:SignedInfo>
3259 <ds:SignatureValue>...</ds:SignatureValue>
3260 <ds:KeyInfo>
3261   <wsse:SecurityTokenReference>
3262     <wsse:Reference URI="#SomeSupportingToken" />
3263   </wsse:SecurityTokenReference>
3264 </ds:KeyInfo>
3265 </ds:Signature>
3266 <xenc:ReferenceList>
3267   <xenc:DataReference URI="#enc_Body" />
3268   <xenc:DataReference URI="#enc_Header2" />
3269   ...
3270 </xenc:ReferenceList>
3271 </wsse:Security>
3272 </S:Header>
3273 <S:Body wsu:Id="Body">
3274   <xenc:EncryptedData Id="enc_Body">
3275     ...
3276     <ds:KeyInfo>
3277       <wsse:SecurityTokenReference>
3278         <wsse:Reference URI="#_SharedSecretToken" />
3279       </wsse:SecurityTokenReference>
3280     </ds:KeyInfo>
3281   </xenc:EncryptedData>
3282 </S:Body>
3283 </S:Envelope>

```

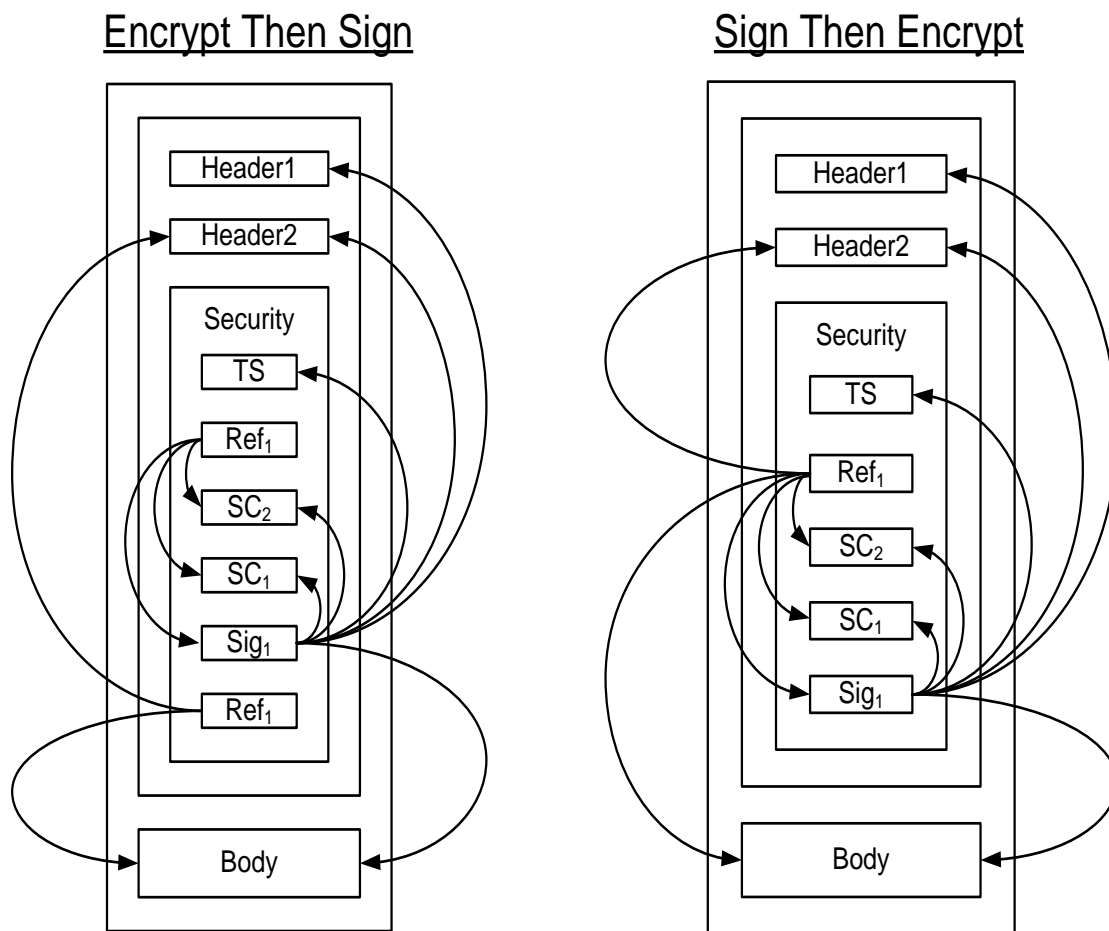
3284 C.2.3 Recipient to Initiator Messages

3285 Messages send from recipient to initiator have the following layout for the security header:

- 3286 1. A `wsu:Timestamp` element if [Timestamp] is 'true'.
- 3287 2. If the `sp:IncludeToken` attribute on the [Encryption Token] is `.../IncludeToken/Always`, then the
3288 [Encryption Token].
- 3289 3. If [Derived Keys] is 'true', then a Derived Key Token, based on the [Encryption Token]. This
3290 Derived Key Token is used for encryption.
- 3291 4. A reference list including references to encrypted items. If [Signature Protection] is 'true', then the
3292 reference list MUST include a reference to the message signature from 6 below, and the
3293 `wss11:SignatureConfirmation` elements from 5 below if any. If [Protection Order] is
3294 'SignBeforeEncrypting', then the reference list MUST include a reference to all the message parts
3295 specified in the EncryptedParts assertions in the policy. If [Derived Keys] is 'true', then the key in
3296 the token from 2 above MUST be used, otherwise the key in the [Encryption Token] from 2
3297 above.
- 3298 5. If [Signature Confirmation] is 'true' then a `wss11:SignatureConfirmation` element for each
3299 signature in the corresponding message sent from initiator to recipient. If there are no signatures
3300 in the corresponding message from the initiator to the recipient, then a
3301 `wss11:SignatureConfirmation` element with no Value attribute.
- 3302 6. If the [Signature Token] is not the same as the [Encryption Token], and the `sp:IncludeToken`
3303 attribute on the [Signature Token] is `.../IncludeToken/Always`, then the [Signature Token].

- 3304 7. If [Derived Keys] is 'true', then a Derived Key Token, based on the [Signature Token]. This
 3305 Derived Key Token is used for signature.
- 3306 8. A signature over the wsu:Timestamp from 1 above, any wssell:SignatureConfirmation
 3307 elements from 5 above, and all the message parts specified in SignedParts assertions in the
 3308 policy. If [Token Protection] is 'true', the signature MUST also cover the [Signature Token]
 3309 regardless of whether it is included in the message. If [Derived Keys] is 'true', the key in the token
 3310 from 6 above MUST be used, otherwise the key in the [Signature Token].
- 3311 9. If [Protection Order] is 'EncryptBeforeSigning' then a reference list referencing all the message
 3312 parts specified in EncryptedParts assertions in the policy. If [Derived Keys] is 'true', then the key
 3313 in the Derived Key Token from 3 above MUST be used, otherwise the key in the [Encryption
 3314 Token].

3315 The following diagram illustrates the security header layout for the recipient to initiator message:



3316

3317 The arrows on the right indicate parts that were signed as part of the message signature labeled Sig₁.
 3318 The arrows on the left from boxes labeled Ref₁ indicate references to parts encrypted using a key based
 3319 on the [SharedSecret Token] (not shown in these diagrams as it is referenced as an external token). Two
 3320 wssell:SignatureConfirmation elements labeled SC₁ and SC₂ corresponding to the two signatures
 3321 in the initial message illustrated previously is included. In general, the ordering of the items in the security
 3322 header follows the most optimal layout for a receiver to process its contents. The rules used to determine
 3323 this ordering are described in Appendix C.

3324 *Example:*

3325 Recipient to initiator message using EncryptBeforeSigning:

```
3326 <S:Envelope>
3327   <S:Header>
3328     <x:Header1 wsu:Id="Header1" >
3329       ...
3330     </x:Header1>
3331     <wsse11:EncryptedHeader wsu:Id="enc_Header2">
3332       <!-- Plaintext Header2
3333       <x:Header2 wsu:Id="Header2" >
3334         ...
3335       </x:Header2>
3336       -->
3337       ...
3338     </wsse11:EncryptedHeader>
3339     ...
3340     <wsse:Security>
3341       <wsu:Timestamp wsu:Id="Timestamp">
3342         <wsu:Created>...</wsu:Created>
3343         <wsu:Expires>...</wsu:Expires>
3344       </wsu:Timestamp>
3345       <xenc:ReferenceList>
3346         <xenc:DataReference URI="#enc_Signature" />
3347         <xenc:DataReference URI="#enc_SigConf1" />
3348         <xenc:DataReference URI="#enc_SigConf2" />
3349         ...
3350       </xenc:ReferenceList>
3351       <xenc:EncryptedData ID="enc_SigConf1" >
3352         <!-- Plaintext SignatureConfirmation
3353         <wsse11:SignatureConfirmation wsu:Id="SigConf1" >
3354           ...
3355         </wsse11:SignatureConfirmation>
3356         -->
3357         ...
3358       </xenc:EncryptedData>
3359       <xenc:EncryptedData ID="enc_SigConf2" >
3360         <!-- Plaintext SignatureConfirmation
3361         <wsse11:SignatureConfirmation wsu:Id="SigConf2" >
3362           ...
3363         </wsse11:SignatureConfirmation>
3364         -->
3365         ...
3366       </xenc:EncryptedData>
```

```

3367
3368
3369
3370
3371
3372
3373
3374
3375
3376
3377
3378
3379
3380
3381
3382
3383
3384
3385
3386
3387
3388
3389
3390
3391
3392
3393
3394
3395
3396
3397
3398
3399
3400
3401
3402
3403
3404
3405
3406
3407
3408
3409
3410
3411
3412
3413
3414
3415

```

```

<xenc:EncryptedData Id="enc_Signature">
  <!-- Plaintext Signature
  <ds:Signature Id="Signature">
    <ds:SignedInfo>
      <ds:References>
        <ds:Reference URI="#Timestamp" >...</ds:Reference>
        <ds:Reference URI="#SigConf1" >...</ds:Reference>
        <ds:Reference URI="#SigConf2" >...</ds:Reference>
        <ds:Reference URI="#Header1" >...</ds:Reference>
        <ds:Reference URI="#Header2" >...</ds:Reference>
        <ds:Reference URI="#Body" >...</ds:Reference>
      </ds:References>
    </ds:SignedInfo>
    <ds:SignatureValue>...</ds:SignatureValue>
    <ds:KeyInfo>
      <wsse:SecurityTokenReference>
        <wsse:Reference URI="#_SomeIssuedToken" />
      </wsse:SecurityTokenReference>
    </ds:KeyInfo>
  </ds:Signature>
-->
</xenc:EncryptedData>
...
<ds:KeyInfo>
  <wsse:SecurityTokenReference>
    <wsse:Reference URI="#_SomeIssuedToken" />
  </wsse:SecurityTokenReference>
</ds:KeyInfo>
<xenc:EncryptedData>
<xenc:ReferenceList>
  <xenc:DataReference URI="#enc_Body" />
  <xenc:DataReference URI="#enc_Header2" />
  ...
</xenc:ReferenceList>
</xenc:EncryptedData>
</wsse:Security>
</S:Header>
<S:Body wsu:Id="Body">
  <xenc:EncryptedData Id="enc_Body">
    ...
    <ds:KeyInfo>
      <wsse:SecurityTokenReference>
        <wsse:Reference URI="#_SomeIssuedToken" />
      </wsse:SecurityTokenReference>
    </ds:KeyInfo>
  </xenc:EncryptedData>
</S:Body>
</S:Envelope>

```

3416 C.3 Asymmetric Binding

3417 This section describes how the 'Strict' security header layout rules apply to the Asymmetric Binding.

3418 C.3.1 Policy

3419 The following example shows a policy indicating an Asymmetric Binding, an X509 token as the [Initiator
3420 Token], an X509 token as the [Recipient Token], an algorithm suite, a requirement to encrypt the
3421 message parts before signing, a requirement to encrypt the message signature, a requirement to include
3422 tokens in the message signature and the supporting signatures, a requirement to include
3423 `wsse11:SignatureConfirmation` elements, a username token attached to the message, and finally

3424 an X509 token attached to the message and endorsing the message signature. Minimum message
3425 protection requirements are described as well.

```
3426 <!-- Example Endpoint Policy -->
3427 <wsp:Policy xmlns:wsp="..." xmlns:sp="...">
3428   <sp:AsymmetricBinding>
3429     <wsp:Policy>
3430       <sp:RecipientToken>
3431         <wsp:Policy>
3432           <sp:X509Token sp:IncludeToken=".../IncludeToken/Always" />
3433         </wsp:Policy>
3434       </sp:RecipientToken>
3435       <sp:InitiatorToken>
3436         <wsp:Policy>
3437           <sp:X509Token sp:IncludeToken=".../IncludeToken/Always" />
3438         </wsp:Policy>
3439       </sp:InitiatorToken>
3440       <sp:AlgorithmSuite>
3441         <wsp:Policy>
3442           <sp:Basic256 />
3443         </wsp:Policy>
3444       </sp:AlgorithmSuite>
3445       <sp:Layout>
3446         <wsp:Policy>
3447           <sp:Strict />
3448         </wsp:Policy>
3449       </sp:Layout>
3450       <sp:IncludeTimestamp />
3451       <sp:EncryptBeforeSigning />
3452       <sp:EncryptSignature />
3453       <sp:ProtectTokens />
3454     </wsp:Policy>
3455   </sp:AsymmetricBinding>
3456   <sp:SignedEncryptedSupportingTokens>
3457     <wsp:Policy>
3458       <sp:UsernameToken sp:IncludeToken=".../IncludeToken/Once" />
3459     </wsp:Policy>
3460   </sp:SignedEncryptedSupportingTokens>
3461   <sp:SignedEndorsingSupportingTokens>
3462     <wsp:Policy>
3463       <sp:X509Token sp:IncludeToken=".../IncludeToken/Once">
3464         <wsp:Policy>
3465           <sp:WssX509v3Token10 />
3466         </wsp:Policy>
3467       </sp:X509Token>
3468     </wsp:Policy>
3469   </sp:SignedEndorsingSupportingTokens>
3470   <sp:Wss11>
3471     <wsp:Policy>
3472       <sp:RequireSignatureConfirmation />
3473     </wsp:Policy>
3474   </sp:Wss11>
3475 </wsp:Policy>
3476
```

3477

```
3478 <!-- Example Message Policy -->
3479 <wsp:All xmlns:wsp="..." xmlns:sp="...">
3480   <sp:SignedParts>
3481     <sp:Header Name="Header1" Namespace="..." />
3482     <sp:Header Name="Header2" Namespace="..." />
3483     <sp:Body/>
3484   </sp:SignedParts>
3485   <sp:EncryptedParts>
3486     <sp:Header Name="Header2" Namespace="..." />
3487     <sp:Body/>
3488   </sp:EncryptedParts>
3489 </wsp:All>
```

3490
3491 This policy is used as the basis for the examples shown in the subsequent section describing the security
3492 header layout for this binding.

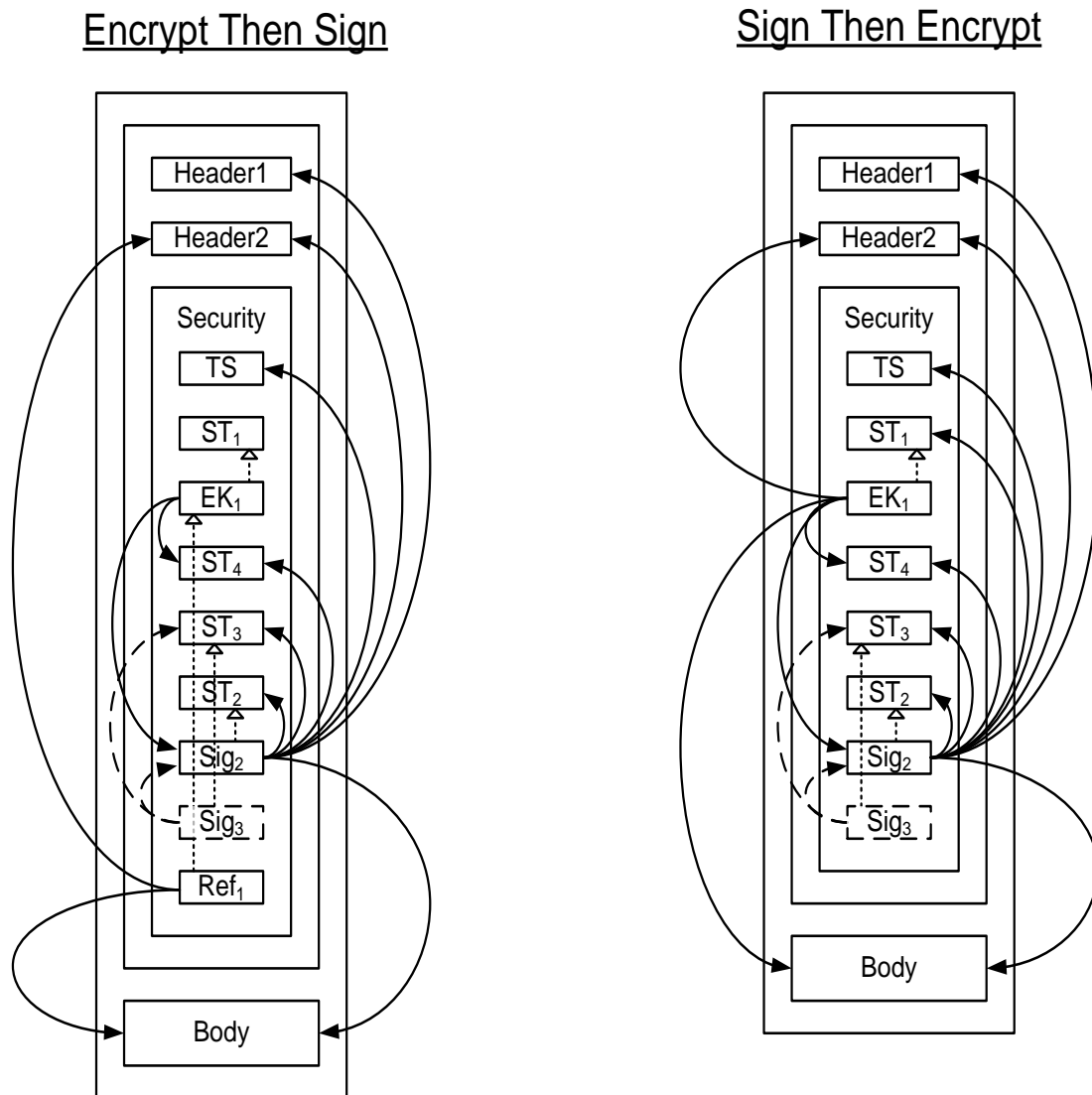
3493 **C.3.2 Initiator to Recipient Messages**

3494 Messages sent from initiator to recipient have the following layout:

- 3495 1. A `wsu:Timestamp` element if [Timestamp] is 'true'.
- 3496 2. If a [Recipient Token] is specified, and the associated `sp:IncludeToken` attribute is
3497 `.../IncludeToken/Once` or `.../IncludeToken/Always`, then the [Recipient Token].
- 3498 3. If a [Recipient Token] is specified and [Protection Order] is 'SignBeforeEncrypting' or
3499 [SignatureProtection] is 'true' then an `xenc:EncryptedKey` element, containing a key encrypted for
3500 the recipient. The `xenc:EncryptedKey` element MUST include an `xenc:ReferenceList` containing a
3501 reference to all the message parts specified in `EncryptedParts` assertions in the policy. If
3502 [Signature Protection] is 'true' then the reference list MUST contain a reference to the message
3503 signature from 6 below. It is an error if [Signature Protection] is 'true' and there is not a message
3504 signature.
- 3505 4. Any tokens from the supporting tokens properties (as defined in section 8) whose
3506 `sp:IncludeToken` attribute is `.../IncludeToken/Once` or `.../IncludeToken/Always`.
- 3507 5. If an [Initiator Token] is specified, and the associated `sp:IncludeToken` attribute is
3508 `.../IncludeToken/Once` or `.../IncludeToken/Always`, then the [Initiator Token].
- 3509 6. A signature based on the key in the [Initiator Token] if specified, over the `wsu:Timestamp` from
3510 1 above, any tokens from 4 above regardless of whether they are included in the message, and
3511 any message parts specified in `SignedParts` assertions in the policy. If [Token Protection] is 'true',
3512 the signature MUST also cover the [Initiator Token] regardless of whether it is included in the
3513 message.
- 3514 7. Signatures for tokens from the [Endorsing Supporting Tokens] and [Signed Endorsing Supporting
3515 Tokens] properties. If [Derived Keys] is 'true' and the supporting token is associated with a
3516 symmetric key, then a Derived Key Token, based on the supporting token, appears before the
3517 signature. If [Token Protection] is 'true', the signature MUST also cover the supporting token
3518 regardless of whether it is included in the message.
- 3519 8. If a [Recipient Token] is specified and [Protection Order] is 'EncryptBeforeSigning' then if
3520 [Signature Protection] is 'false' then an `xenc:EncryptedKey` element, containing a key encrypted
3521 for the recipient and a reference list, else if [Signature Protection] is 'true', a reference list. The
3522 reference list includes a reference to all the message parts specified in `EncryptedParts` assertions
3523 in the policy. The encrypted parts MUST reference the key contained in the `xenc:EncryptedKey`
3524 element from 3 above.

3525

3526 The following diagram illustrates the security header layout for the initiator to recipient messages:



3527
3528 The arrows on the right indicate parts that were signed as part of the message signature labeled Sig₂
3529 using the [Initiator Token] labeled ST₂. The dashed arrows on the left from the box labeled Sig₃ indicate
3530 the parts signed by the supporting token ST₃, namely the message signature Sig₂ and the token used as
3531 the basis for the signature labeled ST₃. The arrows on the left from boxes labeled EK₁ indicate references
3532 to parts encrypted using a key encrypted for the [Recipient Token] labeled ST₁. The arrows on the left
3533 from boxes labeled Ref₁ indicate additional references to parts encrypted using the key contained in the
3534 encrypted key labeled EK₁. The dotted arrows inside the box labeled Security indicate the token used as
3535 the basis for each cryptographic operation. In general, the ordering of the items in the security header
3536 follows the most optimal layout for a receiver to process its contents. The rules used to determine this
3537 ordering are described in Appendix C.

3538
3539 Note: In most typical scenarios, the recipient key is not included in the message, but rather the encrypted
3540 key contains an external reference to the token containing the encryption key. The diagram illustrates
3541 how one might attach a security token related to the encrypted key for completeness. One possible use-

3542 case for this approach might be a stack which does not support the STR Dereferencing Transform, but
3543 wishes to include the encryption token in the message signature.

3544 Initiator to recipient message *Example*

3545 `<S:Envelope xmlns:S="..." xmlns:x="..." xmlns:wsu="..."`

```

3546   xmlns:wssell1="..." xmlns:wsse="..." xmlns:xenc="..." xmlns:ds="...">
3547   <S:Header>
3548     <x:Header1 wsu:Id="Header1" >
3549     ...
3550   </x:Header1>
3551   <wssell1:EncryptedHeader wsu:Id="enc_Header2">
3552     <!-- Plaintext Header2
3553     <x:Header2 wsu:Id="Header2" >
3554     ...
3555     </x:Header2>
3556     -->
3557     ...
3558   </wssell1:EncryptedHeader>
3559   ...
3560   <wsse:Security>
3561     <wsu:Timestamp wsu:Id="Timestamp">
3562       <wsu:Created>...</wsu:Created>
3563       <wsu:Expires>...</wsu:Expires>
3564     </wsu:Timestamp>
3565     <wsse:BinarySecurityToken wsu:Id="RecipientToken" >
3566     ...
3567   </wsse:BinarySecurityToken>
3568   <xenc:EncryptedKey wsu:Id="RecipientEncryptedKey" >
3569     ...
3570     <xenc:ReferenceList>
3571       <xenc:DataReference URI="#enc_Signature" />
3572       <xenc:DataReference URI="#enc_SomeUsernameToken" />
3573       ...
3574     </xenc:ReferenceList>
3575   </xenc:EncryptedKey>
3576   <xenc:EncryptedData ID="enc_SomeUsernameToken" >
3577     <!-- Plaintext UsernameToken
3578     <wsse:UsernameToken wsu:Id="SomeUsernameToken" >
3579     ...
3580     </wsse:UsernameToken>
3581     -->
3582     ...
3583   </xenc:EncryptedData>
3584   <wsse:BinarySecurityToken wsu:Id="SomeSupportingToken" >
3585   ...
3586   </wsse:BinarySecurityToken>
3587   <wsse:BinarySecurityToken wsu:Id="InitiatorToken" >
3588   ...
3589   </wsse:BinarySecurityToken>
3590   <xenc:EncryptedData ID="enc_Signature">
3591     <!-- Plaintext Signature
3592     <ds:Signature Id="Signature">
3593       <ds:SignedInfo>
3594         <ds:References>
3595           <ds:Reference URI="#Timestamp" >...</ds:Reference>
3596           <ds:Reference URI="#SomeUsernameToken" >...</ds:Reference>
3597           <ds:Reference URI="#SomeSupportingToken" >...</ds:Reference>
3598           <ds:Reference URI="#InitiatorToken" >...</ds:Reference>
3599           <ds:Reference URI="#Header1" >...</ds:Reference>
3600           <ds:Reference URI="#Header2" >...</ds:Reference>
3601           <ds:Reference URI="#Body" >...</ds:Reference>
3602         </ds:References>
3603       </ds:SignedInfo>
3604     <ds:SignatureValue>...</ds:SignatureValue>
3605     <ds:KeyInfo>
3606       <wsse:SecurityTokenReference>
3607         <wsse:Reference URI="#InitiatorToken" />
3608       </wsse:SecurityTokenReference>
3609     </ds:KeyInfo>

```



```

3610     </ds:Signature>
3611     -->
3612     ...
3613 </xenc:EncryptedData>
3614 <ds:Signature>
3615   <ds:SignedInfo>
3616     <ds:References>
3617       <ds:Reference URI="#Signature" >...</ds:Reference>
3618       <ds:Reference URI="#SomeSupportingToken" >...</ds:Reference>
3619     </ds:References>
3620   </ds:SignedInfo>
3621   <ds:SignatureValue>...</ds:SignatureValue>
3622   <ds:KeyInfo>
3623     <wsse:SecurityTokenReference>
3624       <wsse:Reference URI="#SomeSupportingToken" />
3625     </wsse:SecurityTokenReference>
3626   </ds:KeyInfo>
3627 </ds:Signature>
3628 <xenc:ReferenceList>
3629   <xenc:DataReference URI="#enc_Body" />
3630   <xenc:DataReference URI="#enc_Header2" />
3631   ...
3632 </xenc:ReferenceList>
3633 </wsse:Security>
3634 </S:Header>
3635 <S:Body wsu:Id="Body">
3636   <xenc:EncryptedData Id="enc_Body">
3637     ...
3638     <ds:KeyInfo>
3639       <wsse:SecurityTokenReference>
3640         <wsse:Reference URI="#RecipientEncryptedKey" />
3641       </wsse:SecurityTokenReference>
3642     </ds:KeyInfo>
3643   </xenc:EncryptedData>
3644 </S:Body>
3645 </S:Envelope>

```

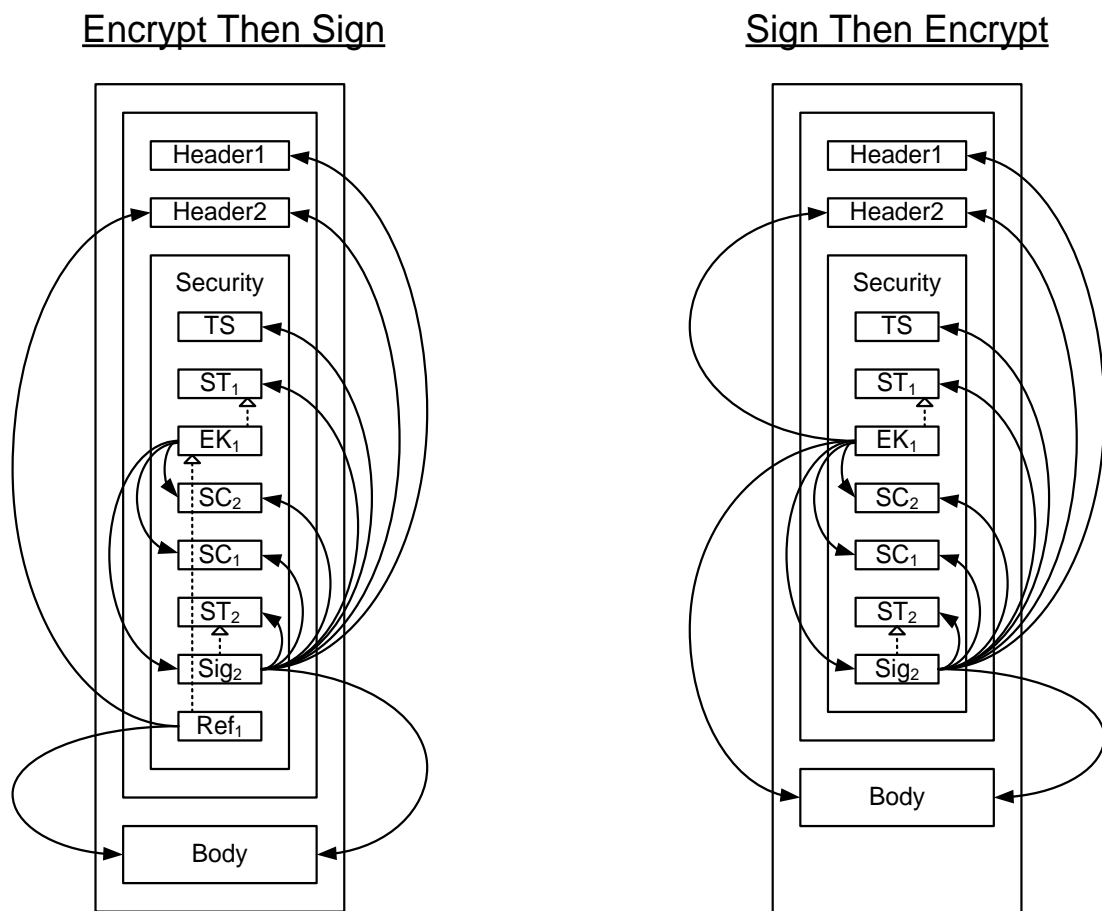
3646 C.3.3 Recipient to Initiator Messages

3647 Messages sent from recipient to initiator have the following layout:

- 3648 1. A `wsu:Timestamp` element if [Timestamp] is 'true'.
- 3649 2. If an [Initiator Token] is specified, and the associated `sp:IncludeToken` attribute is
3650 `.../IncludeToken/Always`, then the [Initiator Token].
- 3651 3. If an [Initiator Token] is specified and [Protection Order] is 'SignBeforeEncrypting' or
3652 [SignatureProtection] is 'true' then an `xenc:EncryptedKey` element, containing a key encrypted for
3653 the initiator. The `xenc:EncryptedKey` element MUST include an `xenc:ReferenceList` containing a
3654 reference to all the message parts specified in EncryptedParts assertions in the policy. If
3655 [Signature Protection] is 'true' then the reference list MUST also contain a reference to the
3656 message signature from 6 below, if any and references to the
3657 `wss11:SignatureConfirmation` elements from 4 below, if any.
- 3658 4. If [Signature Confirmation] is 'true', then a `wss11:SignatureConfirmation` element for each
3659 signature in the corresponding message sent from initiator to recipient. If there are no signatures
3660 in the corresponding message from the initiator to the recipient, then a
3661 `wss11:SignatureConfirmation` element with no Value attribute.
- 3662 5. If a [Recipient Token] is specified, and the associated `sp:IncludeToken` attribute is
3663 `.../IncludeToken/Always`, then the [Recipient Token].

- 3664 6. If a [Recipient Token] is specified, then a signature based on the key in the [Recipient Token],
 3665 over the `wsu:Timestamp` from 1 above, the `wssell:SignatureConfirmation` elements
 3666 from 4 above, and any message parts specified in SignedParts assertions in the policy. If [Token
 3667 Protection] is 'true' then the signature MUST also cover the [Recipient Token].
- 3668 7. If an [Initiator Token] is specified and [Protection Order] is 'EncryptBeforeSigning' then if
 3669 [Signature Protection] is 'false' then an `xenc:EncryptedKey` element, containing a key encrypted
 3670 for the recipient and a reference list, else if [Signature Protection] is 'true', a reference list. The
 3671 reference list includes a reference to all the message parts specified in EncryptedParts assertions
 3672 in the policy. The encrypted parts MUST reference the key contained in the `xenc:EncryptedKey`
 3673 element from 3 above.

3674
 3675 The following diagram illustrates the security header layout for the recipient to initiator messages:



3676
 3677 The arrows on the right indicate parts that were signed as part of the message signature labeled Sig₂
 3678 using the [Recipient Token] labeled ST₂. The arrows on the left from boxes labeled EK₁ indicate
 3679 references to parts encrypted using a key encrypted for the [Recipient Token] labeled ST₁. The arrows on
 3680 the left from boxes labeled Ref₁ indicate additional references to parts encrypted using the key contained
 3681 in the encrypted key labeled EK₁. The dotted arrows inside the box labeled Security indicate the token
 3682 used as the basis for each cryptographic operation. Two `wssell:SignatureConfirmation` elements
 3683 labeled SC₁ and SC₂ corresponding to the two signatures in the initial message illustrated previously is
 3684 included. In general, the ordering of the items in the security header follows the most optimal layout for a
 3685 receiver to process its contents. The rules used to determine this ordering are described in Appendix C.
 3686 Recipient to initiator message *Example*:

```

3687 <S:Envelope xmlns:S="..." xmlns:x="..." xmlns:wsu="..."
3688     xmlns:wssell="..." xmlns:wsse="..."
3689     xmlns:xenc="..." xmlns:ds="...">
3690 <S:Header>
3691   <x:Header1 wsu:Id="Header1" >
3692     ...
3693   </x:Header1>
3694   <wssell:EncryptedHeader wsu:Id="enc_Header2">
3695     <!-- Plaintext Header2
3696     <x:Header2 wsu:Id="Header2" >
3697       ...
3698     </x:Header2>
3699     -->
3700     ...
3701   </wssell:EncryptedHeader>
3702   ...
3703   <wsse:Security>
3704     <wsu:Timestamp wsu:Id="Timestamp">
3705       <wsu:Created>...</wsu:Created>
3706       <wsu:Expires>...</wsu:Expires>
3707     </wsu:Timestamp>
3708     <wsse:BinarySecurityToken wsu:Id="InitiatorToken" >
3709       ...
3710     </wsse:BinarySecurityToken>
3711     <xenc:EncryptedKey wsu:Id="InitiatorEncryptedKey" >
3712       ...
3713       <xenc:ReferenceList>
3714         <xenc:DataReference URI="#enc_Signature" />
3715         <xenc:DataReference URI="#enc_SigConf1" />
3716         <xenc:DataReference URI="#enc_SigConf2" />
3717         ...
3718       </xenc:ReferenceList>
3719     </xenc:EncryptedKey>
3720     <xenc:EncryptedData ID="enc_SigConf2" >
3721       <!-- Plaintext SignatureConfirmation
3722       <wssell:SignatureConfirmation wsu:Id="SigConf2" ...>
3723         ...
3724       </wssell:SignatureConfirmation>
3725       -->
3726       ...
3727     </xenc:EncryptedData>
3728     <xenc:EncryptedData ID="enc_SigConf1" >
3729       <!-- Plaintext SignatureConfirmation
3730       <wssell:SignatureConfirmation wsu:Id="SigConf1" ...>
3731         ...
3732       </wssell:SignatureConfirmation>
3733       -->
3734       ...
3735     </xenc:EncryptedData>
3736     <wsse:BinarySecurityToken wsu:Id="RecipientToken" >
3737       ...
3738     </wsse:BinarySecurityToken>
3739

```

```

3740 <xenc:EncryptedData ID="enc_Signature">
3741   <!-- Plaintext Signature
3742   <ds:Signature Id="Signature">
3743     <ds:SignedInfo>
3744       <ds:References>
3745         <ds:Reference URI="#Timestamp" >...</ds:Reference>
3746         <ds:Reference URI="#SigConf1" >...</ds:Reference>
3747         <ds:Reference URI="#SigConf2" >...</ds:Reference>
3748         <ds:Reference URI="#RecipientToken" >...</ds:Reference>
3749         <ds:Reference URI="#Header1" >...</ds:Reference>
3750         <ds:Reference URI="#Header2" >...</ds:Reference>
3751         <ds:Reference URI="#Body" >...</ds:Reference>
3752       </ds:References>
3753     </ds:SignedInfo>
3754     <ds:SignatureValue>...</ds:SignatureValue>
3755     <ds:KeyInfo>
3756       <wsse:SecurityTokenReference>
3757         <wsse:Reference URI="#RecipientToken" />
3758       </wsse:SecurityTokenReference>
3759     </ds:KeyInfo>
3760   </ds:Signature>
3761   -->
3762   ...
3763 </xenc:EncryptedData>
3764 <xenc:ReferenceList>
3765   <xenc:DataReference URI="#enc_Body" />
3766   <xenc:DataReference URI="#enc_Header2" />
3767   ...
3768 </xenc:ReferenceList>
3769 </wsse:Security>
3770 </S:Header>
3771 <S:Body wsu:Id="Body">
3772   <xenc:EncryptedData Id="enc_Body">
3773     ...
3774     <ds:KeyInfo>
3775       <wsse:SecurityTokenReference>
3776         <wsse:Reference URI="#InitiatorEncryptedKey" />
3777       </wsse:SecurityTokenReference>
3778     </ds:KeyInfo>
3779   </xenc:EncryptedData>
3780 </S:Body>
3781 </S:Envelope>

```

3782 **D. Signed and Encrypted Elements in the Security**
3783 **Header**

3784 This section lists the criteria for when various child elements of the Security header are signed and/or
3785 encrypted at the message level including whether they are signed by the message signature or a
3786 supporting signature. It assumes that there are no `sp:SignedElements` and no
3787 `sp:EncryptedElements` assertions in the policy. If such assertions are present in the policy then
3788 additional child elements of the security header might be signed and/or encrypted.

3789 **D.1 Elements signed by the message signature**

- 3790 1. The `wsu:Timestamp` element (Section 6.2).
- 3791 2. All `wssell:SignatureConfirmation` elements (Section 9).
- 3792 3. Security Tokens corresponding to [Initiator Signature Token],[Recipient Signature Token],
3793 [Initiator Encryption Token], [Recipient Encryption Token], [Signature Token] or [Encryption
3794 Token] when [Token Protection] has a value of 'true' (Section 6.5).
- 3795 4. Security Tokens corresponding to [Signed Supporting Tokens] (see Section 8.2) or [Signed
3796 Endorsing Supporting Tokens] (Section 8.5).

3797 **D.2 Elements signed by all endorsing signatures**

- 3798 1. The `ds:Signature` element that forms the message signature (Section 8.3).
- 3799 2. The `wsu:Timestamp` element in the case of a transport binding (Section 8.3).

3800 **D.3 Elements signed by a specific endorsing signature**

- 3801 1. Security Tokens corresponding to [Endorsing Supporting Tokens] or [Signed Endorsing
3802 Supporting Tokens] when [Token Protection] has a value of 'true' (Section 8.8).

3803 **D.4 Elements that are encrypted**

- 3804 1. The `ds:Signature` element that forms the message signature when [Signature Protection]
3805 has a value of 'true' (Section 6.4).
- 3806 2. All `wssell:SignatureConfirmation` elements when [Signature Protection] has a value
3807 of 'true' (Section 6.4).
- 3808 3. A `wsse:UsernameToken` may be encrypted when a transport binding is not being used
3809 (Section 5.3.1).

3810

3811 **E. Acknowledgements**

3812 The following individuals have participated in the creation of this specification and are gratefully
3813 acknowledged:

3814 **Original Authors of the initial contribution:**

3815 Giovanni Della-Libera, Microsoft
3816 Martin Gudgin, Microsoft
3817 Phillip Hallam-Baker, VeriSign
3818 Maryann Hondo, IBM
3819 Hans Granqvist, Verisign
3820 Chris Kaler, Microsoft (editor)
3821 Hiroshi Maruyama, IBM
3822 Michael McIntosh, IBM
3823 Anthony Nadalin, IBM (editor)
3824 Nataraj Nagaratnam, IBM
3825 Rob Philpott, RSA Security
3826 Hemma Prafullchandra, VeriSign
3827 John Shewchuk, Microsoft
3828 Doug Walter, Microsoft
3829 Riaz Zolfonoon, RSA Security

3830
3831 **Original Acknowledgements of the initial contribution:**

3832 Vaithialingam B. Balayoghan, Microsoft
3833 Francisco Curbera, IBM
3834 Christopher Ferris, IBM
3835 Cédric Fournet, Microsoft
3836 Andy Gordon, Microsoft
3837 Tomasz Janczuk, Microsoft
3838 David Melgar, IBM
3839 Mike Perks, IBM
3840 Bruce Rich, IBM
3841 Jeffrey Schlimmer, Microsoft
3842 Chris Sharp, IBM
3843 Kent Tamura, IBM
3844 T.R. Vishwanath, Microsoft
3845 Elliot Waingold, Microsoft

3846
3847 **TC Members during the development of this specification:**

3848 Don Adams, Tibco Software Inc.
3849 Jan Alexander, Microsoft Corporation
3850 Steve Anderson, BMC Software
3851 Donal Arundel, IONA Technologies
3852 Howard Bae, Oracle Corporation
3853 Abbie Barbir, Nortel Networks Limited
3854 Charlton Barreto, Adobe Systems
3855 Mighael Botha, Software AG, Inc.
3856 Toufic Boubez, Layer 7 Technologies Inc.
3857 Norman Brickman, Mitre Corporation
3858 Melissa Brumfield, Booz Allen Hamilton

3859 Lloyd Burch, Novell
3860 Scott Cantor, Internet2
3861 Greg Carpenter, Microsoft Corporation
3862 Steve Carter, Novell
3863 Symon Chang, BEA Systems, Inc.
3864 Ching-Yun (C.Y.) Chao, IBM
3865 Martin Chapman, Oracle Corporation
3866 Kate Cherry, Lockheed Martin
3867 Henry (Hyenvui) Chung, IBM
3868 Luc Clement, Systinet Corp.
3869 Paul Cotton, Microsoft Corporation
3870 Glen Daniels, Sonic Software Corp.
3871 Peter Davis, Neustar, Inc.
3872 Martijn de Boer, SAP AG
3873 Werner Dittmann, Siemens AG
3874 Abdeslem DJAOUI, CCLRC-Rutherford Appleton Laboratory
3875 Fred Dushin, IONA Technologies
3876 Petr Dvorak, Systinet Corp.
3877 Colleen Evans, Microsoft Corporation
3878 Ruchith Fernando, WSO2
3879 Mark Fussell, Microsoft Corporation
3880 Vijay Gajjala, Microsoft Corporation
3881 Marc Goodner, Microsoft Corporation
3882 Hans Granqvist, VeriSign
3883 Martin Gudgin, Microsoft Corporation
3884 Tony Gullotta, SOA Software Inc.
3885 Jiandong Guo, Sun Microsystems
3886 Phillip Hallam-Baker, VeriSign
3887 Patrick Harding, Ping Identity Corporation
3888 Heather Hinton, IBM
3889 Frederick Hirsch, Nokia Corporation
3890 Jeff Hodges, Neustar, Inc.
3891 Will Hopkins, BEA Systems, Inc.
3892 Alex Hristov, Otecia Incorporated
3893 John Hughes, PA Consulting
3894 Diane Jordan, IBM
3895 Venugopal K, Sun Microsystems
3896 Chris Kaler, Microsoft Corporation
3897 Dana Kaufman, Forum Systems, Inc.
3898 Paul Knight, Nortel Networks Limited
3899 Ramanathan Krishnamurthy, IONA Technologies
3900 Christopher Kurt, Microsoft Corporation
3901 Kelvin Lawrence, IBM
3902 Hubert Le Van Gong, Sun Microsystems
3903 Jong Lee, BEA Systems, Inc.
3904 Rich Levinson, Oracle Corporation
3905 Tommy Lindberg, Dajeil Ltd.
3906 Mark Little, JBoss Inc.
3907 Hal Lockhart, BEA Systems, Inc.
3908 Mike Lyons, Layer 7 Technologies Inc.
3909 Eve Maler, Sun Microsystems
3910 Ashok Malhotra, Oracle Corporation
3911 Anand Mani, CrimsonLogic Pte Ltd
3912 Jonathan Marsh, Microsoft Corporation
3913 Robin Martherus, Oracle Corporation
3914 Miko Matsumura, Infravio, Inc.
3915 Gary McAfee, IBM

3916 Michael McIntosh, IBM
3917 John Merrells, Sxip Networks SRL
3918 Jeff Mischkinsky, Oracle Corporation
3919 Prateek Mishra, Oracle Corporation
3920 Bob Morgan, Internet2
3921 Vamsi Motukuru, Oracle Corporation
3922 Raajmohan Na, EDS
3923 Anthony Nadalin, IBM
3924 Andrew Nash, Reactivity, Inc.
3925 Eric Newcomer, IONA Technologies
3926 Duane Nickull, Adobe Systems
3927 Toshihiro Nishimura, Fujitsu Limited
3928 Rob Philpott, RSA Security
3929 Denis Pilipchuk, BEA Systems, Inc.
3930 Darren Platt, Ping Identity Corporation
3931 Martin Raepfle, SAP AG
3932 Nick Ragouzis, Enosis Group LLC
3933 Prakash Reddy, CA
3934 Alain Regnier, Ricoh Company, Ltd.
3935 Irving Reid, Hewlett-Packard
3936 Bruce Rich, IBM
3937 Tom Rutt, Fujitsu Limited
3938 Maneesh Sahu, Actional Corporation
3939 Frank Siebenlist, Argonne National Laboratory
3940 Joe Smith, Apani Networks
3941 Davanum Srinivas, WSO2
3942 Yakov Sverdlov, CA
3943 Gene Thurston, AmberPoint
3944 Victor Valle, IBM
3945 Asir Vedamuthu, Microsoft Corporation
3946 Greg Whitehead, Hewlett-Packard
3947 Ron Williams, IBM
3948 Corinna Witt, BEA Systems, Inc.
3949 Kyle Young, Microsoft Corporation